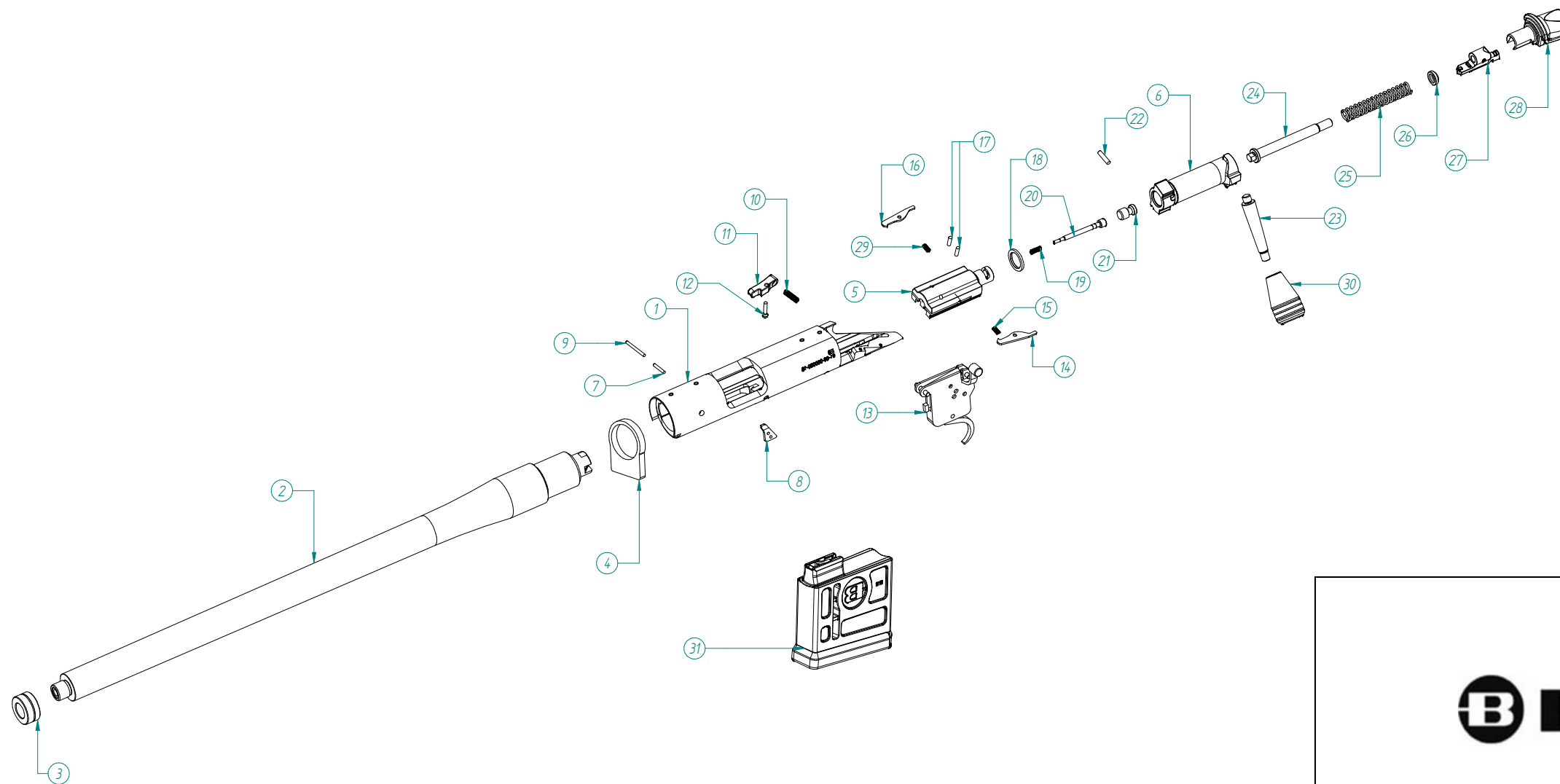


B14RBA001  
B14RBA003  
BRA172S-22LR  
ROW  
USA

#	DESCRIPTION	BOM ITEM	BOM DESCRIPTION	.22 LR	.22 LR
1	RECEIVER	RMEB14R01RC	32960-REC MEC B14R RH CAR	X	X
2	BARREL	TUB14R001C TUB14R021S	40148-B14R-D21.6-22LR-P1:16E6L18R1/2 XXXXX-B14R-D23.6-22LR-P1:16E6L20R1/2 SS	X	X
3	THREAD CAP	32733 33539	THREAD CAP 1/2-28 UNEF Ø22 BLUED CUBRE ROSCAS D23.6 1/2-28 UNEF	X	X
4	RECOIL LUG	32672C	RECOIL LUG	X	X
5	BOLT HEAD	CMEB14R01RC	32961-BOLT DELANTERO MEC B14R RH CAR	X	X
6	BOLT BODY	CMEB14R02RC	32962-BOLT TRASERO MEC B14R RH CAR	X	X
7	EJECTOR PIN BOTTOM	33000	PASADOR Ø2X14 DIN6325	X	X
8	EJECTOR	32969	EYECTOR B14 TRAINER	X	X
9	EJECTOR PIN TOP	33001	PASADOR Ø2x24 DIN6325	X	X
10	BOLT CATCH SPRING	31585	MUELLE DE TOPE DE BOLT	X	X
11	BOLT CATCH LEVER	31411	TOPE ESCAMOTEABLE B14	X	X
12	BOLT CATCH SCREW	31428	PASADOR TOPE	X	X
13	TRIGGER	32800	BERGARA TRIGGER	X	X
14	RIGHT EXTRACTOR	32971	EXTRACTOR PRIMARIO	X	X
15	EXTRACTOR SPRING	32974B	MUELLE EXTRACTOR	X	X
16	LEFT EXTRACTOR	32972	EXTRACTOR SECUNDARIO	X	X
17	EXTRACTOR PIN	32980C	PASADOR Ø2,5x6 DIN7343	X	X
18	BOLT HEAD SPACER	32988C	ARANDELA DE AJUSTE 1,6	X	X
19	STRIKER SPRING	32968	MUELLE PERCUTOR DELANTERO	X	X
20	STRIKER	32967	PERCUTOR DELANTERO	X	X
21	STRIKER CUP	32970	PERCUTOR CENTRAL	X	X
22	STRIKER RETAIN PIN	32982B	PASADOR Ø3x12 DIN7343	X	X
23	BOLT HANDLE	33122	B14 LEFT PALANCA	X	X
24	FIRING PIN	32965	PERCUTOR TRASERO	X	X
25	FIRING PIN SPRING	32966B	MUELLE PERCUTOR TRASERO	X	X
26	FIRING SPRING CUP	32964	CORREDERA B14 TRAINER	X	X
27	COCKING PIECE	31432D	COCKING PIECE DISP REM	X	X
28	BOLT SHROUD	32963B	CAPUCHON B14 TRAINER	X	X
29	LEFT EXTRACTOR SPRING	33018	MUELLE BLOQUEO PALANCA	X	X
30	BOLT KNOB	32506	KNOB	X	X
31	MAGAZINE	32986	CARGADOR B14-22	X	X

## RIMFIRE B14-R TRAINER SHOOTING BARRELED ACTION





## RIMFIRE B14-R TRAINER LEFT SHOOTING BARRELED ACTION



#	DESCRIPTION	BOM ITEM	BOM DESCRIPTION	B14RBA001L		ROW
				.22 LR	.22 LR	
1	RECEIVER	RMEB14R01LC	32960L-REC MEC B14R LH CAR	X		----
2	BARREL	TUB14R001C	40148-B14R-D21.6-22LR-P1:16E6L18R1/2	X		----
		TUB14R021S	XXXXX-B14R-D23.6-22LR-P1:16E6L20R1/2 SS		X	USA
3	THREAD CAP	32733	THREAD CAP 1/2-28 UNEF Ø22 BLUED	X		----
		33539	CUBRE ROSCAS D23.6 1/2-28 UNEF		X	----
4	RECOIL LUG	32672C	RECOIL LUG	X	X	----
5	BOLT HEAD	CMEB14R01LC	32961L-BOLT DELANTERO MEC B14R LH CAR	X	X	----
6	BOLT BODY	CMEB14R02LC	32962L-BOLT TRASERO MEC B14R LH CAR	X	X	----
7	EJECTOR PIN BOTTOM	33000	PASADOR Ø2X14 DIN6325	X	X	----
8	EJECTOR	32969	EYECTOR B14 TRAINER	X	X	----
9	EJECTOR PIN TOP	33001	PASADOR Ø2X24 DIN6325	X	X	----
10	BOLT CATCH SPRING	31585	MUELLE DE TOPE DE BOLT	X	X	----
11	BOLT CATCH LEVER	31411	TOPE ESCAMOTEABLE B14	X	X	----
12	BOLT CATCH SCREW	31428	PASADOR TOPE	X	X	----
13	TRIGGER	32800L	BERGARA TRIGGER - LEFT HANDED	X	X	----
14	RIGHT EXTRACTOR	32971	EXTRACTOR PRIMARIO	X	X	----
15	EXTRACTOR SPRING	32974B	MUELLE EXTRACTOR	X	X	----
16	LEFT EXTRACTOR	32972	EXTRACTOR SECUNDARIO	X	X	----
17	EXTRACTOR PIN	32980C	PASADOR Ø2.5x6 DIN7343	X	X	----
18	BOLT HEAD SPACER	32988C	ARANDELA DE AJUSTE 1,6	X	X	----
19	STRIKER SPRING	32968	MUELLE PERCUTOR DELANTERO	X	X	----
20	STRIKER	32967	PERCUTOR DELANTERO	X	X	----
21	STRIKER CUP	32970	PERCUTOR CENTRAL	X	X	----
22	STRIKER RETAIN PIN	32982B	PASADOR Ø3x12 DIN7343	X	X	----
23	BOLT HANDLE	33122	B14 LEFT PALANCA	X	X	----
24	FIRING PIN	32965	PERCUTOR TRASERO	X	X	----
25	FIRING PIN SPRING	32966B	MUELLE PERCUTOR TRASERO	X	X	----
26	FIRING SPRING CUP	32964	CORREDERA B14 TRAINER	X	X	----
27	COCKING PIECE	33121D	B14 LEFT COCKING PIECE	X	X	----
28	BOLT SHROUD	32963B	CAPUCHON B14 TRAINER	X	X	----
29	RIGHT EXTRACTOR SPRING	33018	MUELLE BLOQUEO PALANCA	X	X	----
30	BOLT KNOB	32506	KNOB	X	X	----
31	MAGAZINE	32986	CARGADOR B14-22	X	X	----