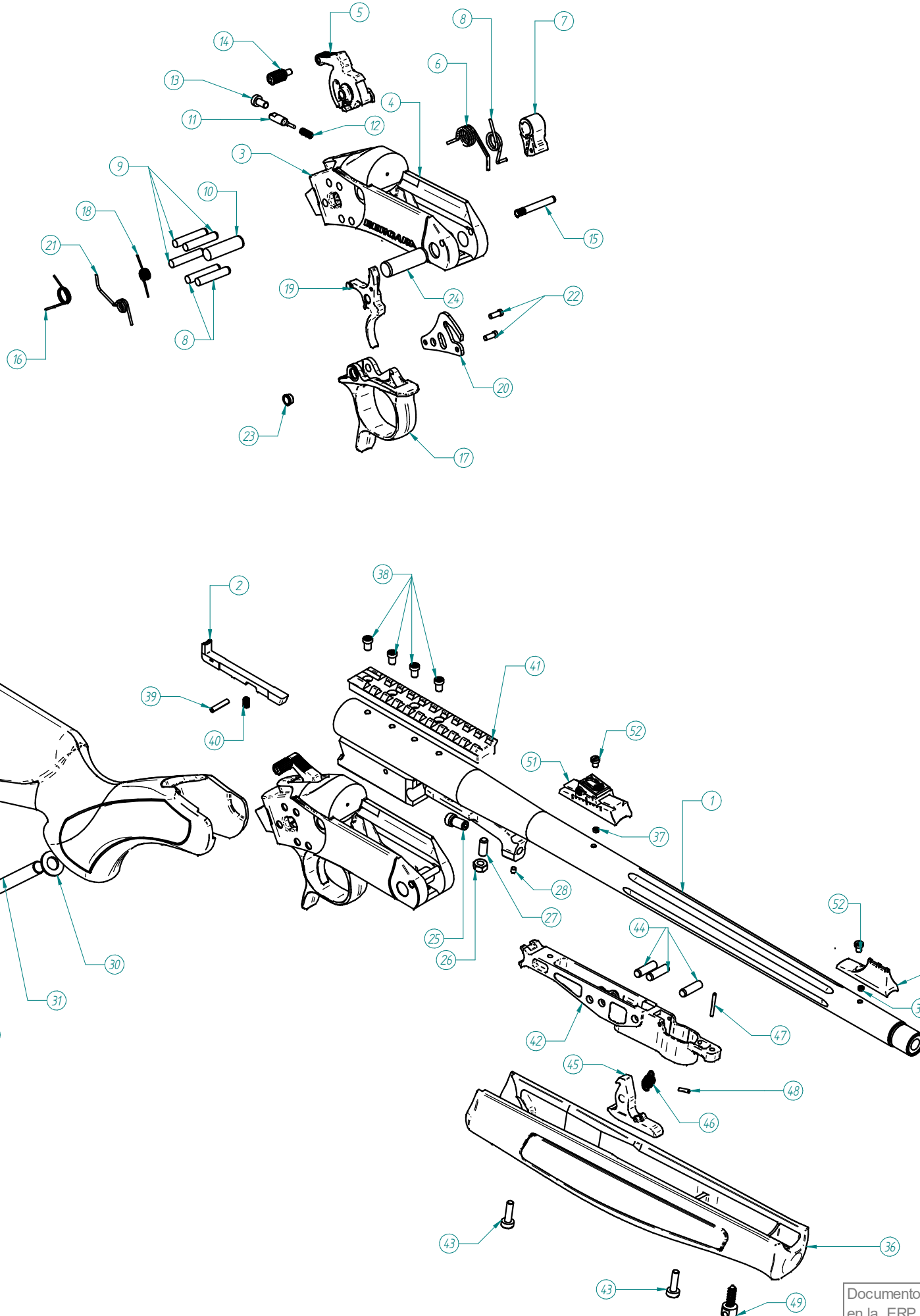


# 2023

## ROW



243 Win	BA123A-243
300 Blackout	BA111-300B
300 Blackout	BA112-300B
308 Win	BA111-308
308 Win	BA112-308
308 Win	BA113A-308
30-06 Spring	BA113A-306
8x57 JRS	BA113A-8X5
45-70 Govt	BA113A-4570



	Item	Description	243 Win	300 Blackout	300 Blackout	308 Win	308 Win	308 Win	30-06 Spring	8x57 JRS	45-70 Govt
1 CAÑÓN / BARREL	TUBTD209C	32194R-STDØ17,2 8x57 IRSP19,5E4L20CA 5/8USA									X
	TUBTD501CR	32194R-BA13TD-STDØ17,2 222P1:14E6L20C PAV 5/8EU	X								
	TUBTD502CR	32194R-BA13TD-STDØ17,2 308P1:12E6L20C PAV 5/8EU		X							
	TUBTD503CR	32325R-BA13TD-STDØ19,1 308P1:8E6L16,5CAR PAV EU			X						
	TUBTD504CR	32194R-BA13TD-STDØ17,2 243P1:10E6L20C PAV 5/8EU									
	TUBTD505CR	32325R-BA13TD-STDØ19,1 300AACP1:8E6L16,5C 5/8EU									
	TUBTD506CR	32364R-BA13TD-FULLØ19 45-70P1:20E6L20C 5/8EU									
	TUBTD507CR	32194R-BA13TD-STDØ17,2 30-06P1:10E6L20C PAV5/8E									
	TUBTD509CR	32194R-BA13TD-STDØ17,2 223P1:8E6L20C PAV 5/8EU									
	TUBTD510CR	32194R-BA13TD-STDØ17,2 6.5CRP1:8E6L20C PAV 5/8EU									
TUBTD515CR	40422-BA13TD-STDØ18,3 300AACP1:8E6L18C 5/8EU			X							
TUBTD516CR	40422-BA13TD-STDØ18,3 308P1:8E6L18C 5/8EU										
2 EXTRACTOR / EXTRACTOR	30198M	EXPULSOR DE MM CAL.45-70		X	X						
	30202M	EXPULSOR DE MM CAL.222		X	X						
	29955M	EXPULSOR DE MM CAL.30-06				X	X	X	X	X	X
3 CUBRE ROSCAS / THREAD PROTECTOR	30582N	CUBRE-ROSCAS	X	X	X	X	X	X	X	X	X
	BMETD002C	33162- BASCULA SC V2 TD BERGARA MECANIZADA NEGRA	X	X	X	X	X	X	X	X	X
4 BASCULA / FRAME	30952M	STRIKING PIECE - SCOUT 2 M4x0,35	X	X	X	X	X	X	X	X	X
5 MARTILLO / STRIKING PIECE	30965	MUELLE MARTILLO SCOUT 2	X	X	X	X	X	X	X	X	X
6 MUELLE MARTILLO / STRIKING PIECE SPRING	32588	LEVER - SCOUT V2	X	X	X	X	X	X	X	X	X
7 LEVA DE CIERRE / LOCKING LEVER	30949C	MUELLE TORSION FUERTE - SCOUT V2	X	X	X	X	X	X	X	X	X
8 MUELLE DE TORSION / TORSION SPRING	31909	PASADOR - PIN 5x24	X	X	X	X	X	X	X	X	X
9 PASADOR D=5 / D=5 PIN	31905	PASADOR EJE DEL CIERRE	X	X	X	X	X	X	X	X	X
10 PASADOR LEVA DE CIERRE / LOCKING LEVER PIN	31183	EJE PERC.	X	X	X	X	X	X	X	X	X
11 PERCUTOR / FIRING PIN	31198	MUELLE DEL PERCUTOR DEL APEX	X	X	X	X	X	X	X	X	X
12 MUELLE DE PERCUTOR / FIRING PIN SPRING	31182	TORNILLO M4x8 DIN-7984	X	X	X	X	X	X	X	X	X
13 TORN. RETEN. DE PERCUTOR / FIRING PIN RETAIN SCREW	31721	SPUR SCOUT M4x0,35	X	X	X	X	X	X	X	X	X
14 SPUR / HAMMER SPUR	31949	PASADOR TOPE SC 2	X	X	X	X	X	X	X	X	X
15 PASADOR TOPE APERTURA / OPENING STOP PIN	30982	MUELLE RETORNO SCOUT 2º GEN	X	X	X	X	X	X	X	X	X
16 MUELLE RETORNO MARTILLO / HAMMER RETURN SPRING	30948	GUARDAMONTE SCOUT-OPTIMA V2 NEGRO	X	X	X	X	X	X	X	X	X
17 GUARDAMONTES / TRIGGER GUARD	30944	PULLING PIECES SPRING - SCOUT II	X	X	X	X	X	X	X	X	X
18 MUELLE GATILLO / TRIGGER SPRING	30943	PULLING PIECES SCOUT 2	X	X	X	X	X	X	X	X	X
19 GATILLO / TRIGGER	31455	GARFIO OPTIMA V2	X	X	X	X	X	X	X	X	X
20 LEVA APERTURA / OPENING LEVER	30945	OPENING LEVER SPRING - SCOUT II	X	X	X	X	X	X	X	X	X
21 MUELLE LEVA APERTURA / OPENING LEVER SPRING	31859	FIXING PIN - SC 2	X	X	X	X	X	X	X	X	X
22 REMACHE LEVA APERTURA / OPENING LEVEL FIXING PIN	31950	CASQUILLO - BUSHING	X	X	X	X	X	X	X	X	X
23 ESPACIADOR / BUSHING	31907	PASADOR - PIN	X	X	X	X	X	X	X	X	X
24 PASADOR D=10 / D=10 PIN	31873	TOPE ROSCADO	X	X	X	X	X	X	X	X	X
25 TOPE REGULADOR / ADJUST SCREW	28288	TUERCA M-5 DIN 934	X	X	X	X	X	X	X	X	X
26 TUERCA DE BLOQUEO / BLOCKING NUT	32163	VARILLA ROSCADA M5x12 DIN 913	X	X	X	X	X	X	X	X	X
27 VARIL REGULACION / ADJUST ROD	31539	ESPARRAGO ALLEN M3x3 DIN 913	X	X	X	X	X	X	X	X	X
28 ESPARRAGO DE BLOQUEO / BLOCKING ROD	30449N	CULATA OPTIMA II NEGRO ( PINTADO)	X	X	X	X	X	X	X	X	X
29 CULATA / STOCK	W503241	WASHER B 8.4 DIN 125 (BLUED)	X	X	X	X	X	X	X	X	X
30 ARANDELA UNION CULATA-BASCULA / FRAME-STOCK WASHER	31908	TORNILLO UNION	X	X	X	X	X	X	X	X	X
31 TORNILLO UNION CULATA-BASCULA / FRAME STOCK BOLT	30743	GRIP CAP BERGARA	X	X	X	X	X	X	X	X	X
32 ESCUDO / GRIP	32258	TORNILLO M4x30 DIN 966	X	X	X	X	X	X	X	X	X
33 TORNILLO AMARRE ESCUDO / GRIP CUP SCREW	29891B	CANTONERA BERGARA - BREAK ACTIONCANTONER	X	X	X	X	X	X	X	X	X
34 CANTONERA / RECOIL PAD	10448	TOR. CAB. AVELL. 3.5x30 DIN 7505A	X	X	X	X	X	X	X	X	X
35 TORNILLO AMARRE CANTONERA / RECOIL PAD SCREW	32156N	GUARDAMANOS SCOUT TAKE DOWN PINTADO NEGR	X	X	X	X	X	X	X	X	X
36 GUARDAMANOS / FOREHAND	32156VN	GUARDAMANOS SCOUT T.D. PINTADO NEGR F.C.									X
37 TAPON ROSCADO / SCREW CAP	29256	TAPON ORIFICIO A-M			X	X					
38 TORNILLO CARRIL / TRACK SCREW	30206.1	TORNILLO BASE M.T.	X	X	X	X	X	X	X	X	X
39 PASADOR EXTRACTOR / EXTRACTOR PIN	30209	PASADOR ESPIRAL DE 3 x 14 DIN 7343	X	X	X	X	X	X	X	X	X
40 MUELLE EXTRACTOR / EXTRACTOR SPRING	30238	MUELLE DEL EXTRACTOR	X	X	X	X	X	X	X	X	X
41 CARRIL / TRACK	30632AP	BASE PICATINNY D=25.4 PINTADA	X	X	X	X	X	X	X	X	X
42 ESTRUCTURA INTERIOR / INTERNAL STRUCTURE	32146B	ESTRUCTURA INTERIOR	X	X	X	X	X	X	X	X	X
43 TORNILLO AMARRE / LOCKING SCREW	32145	TORNILLO M4x16	X	X	X	X	X	X	X	X	X
44 PASADOR DE PALANCA / HAND LEVER SPRING	31552	PASADOR DE PALANCA DE GUARDAMANO	X	X	X	X	X	X	X	X	X
45 PALANCA / HAND LEVER	32155	PALANCA	X	X	X	X	X	X	X	X	X
46 MUELLE DE PALANCA / HAND LEVER SPRING	32152	MUELLE PALANCA	X	X	X	X	X	X	X	X	X
47 PASADOR ELASTICO Ø2x16 / Ø2x16 ELASTIC PIN	32150	PASADOR ELASTICO Ø2x16 DIN7343	X	X	X	X	X	X	X	X	X
48 PASADOR ELASTICO Ø2x8 / Ø2x8 ELASTIC PIN	32151	PASADOR ELASTICO Ø2x8 DIN7343	X	X	X	X	X	X	X	X	X
49 PORTA CORREAS / SWIVEL SCREW	29116	BACK SCREW	X	X	X	X	X	X	X	X	X
50 MIRA / REAR SIGHT	30700	FRONT SIGHT SCOUT (MIRA)	X						X	X	X
51 ALZA / FRONT SIGHT	30701	REAR SIGHT SCOUT (ALZA)	X						X	X	X
52 TORNILLO ALZA MIRA / SIGHTS SCREW	20549T	TORNILLO DE FIJACION A Y M TORX	X						X	X	X

### BA13 TD STANDARD

