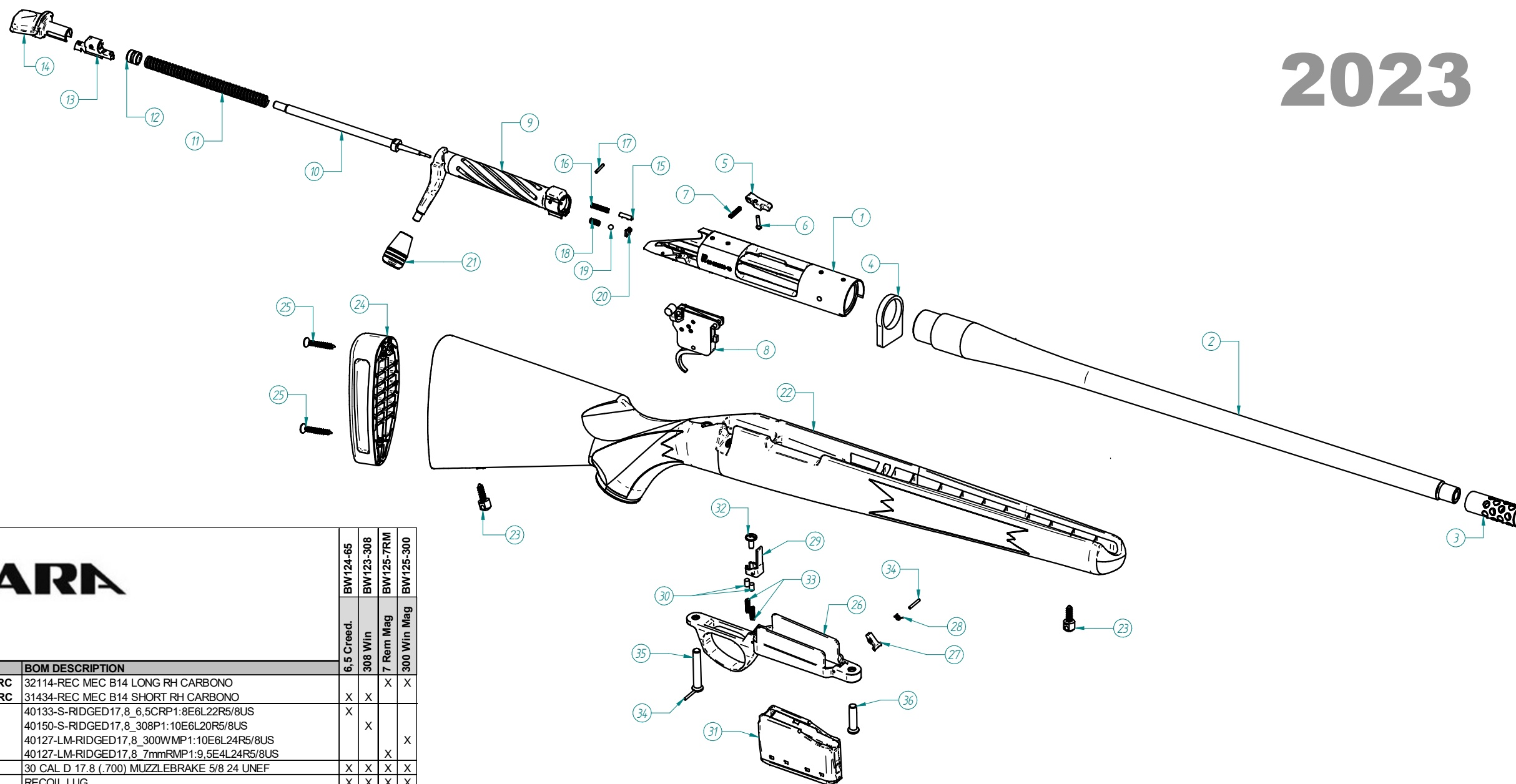


#	DESCRIPTION	BOM ITEM	BOM DESCRIPTION	CALIBER							ROW			
				6.5 Cr	6.5 Cr	308 Win	308 Win	6.5 PRC	28 Nosler	7 RM		300 Win	300 PRC	
1	CARCASA RECEIVER	RMEB14LA01RC RMEB14LA02RC RMEB14LA05RC RMEB14SA01RC RMEB14SA02RC	32114-REC MEC B14 LONG RH CARBONO 33151FP- REC 300 PRC MEC B14 LONG RH CAR FP 33224FP- REC 28 NOSLER MEC B14 LONG RH CAR FP 31434-REC MEC B14 SHORT RH CARBONO 33150FP-REC 6.5 PRC MEC B14 SHORT RH CARBONO FP	X	X	X	X	X	X	X	X	X		
2	CAÑÓN BARREL	TUB14031C TUB14032C TUB14235C TUB14236C TUB14610C TUB14611C TUB14619C TUB14753C TUB14754C TUB14764C	40133-S-RIDGED17,8_6_5CRP1:8E6L2R5/8US 40150-S-RIDGED17,8_308P1:10E6L20R5/8US 40151- B14S RIDGE-ø17,7[308P1:10E6L18C]5/8USA 40151- B14S RIDGE-ø17,7 [6,5CRP1:8E6L18C]5/8US 40126-S-RIDGED17,8_65PRCP1:08E6L24R5/8US 40193-L-RIDGED17,8_28NOSLERP1:9,5E4L26R5/8US 40127-L-RIDGED17,8_300PRCP1:09E6L24R5/8US 40127-LM-RIDGED17,8_300WMP1:10E6L24R5/8US 40127-LM-RIDGED17,8_7mmMMP1:9,5E4L24R5/8US 40127-LM-RIDGED17,8_7PRCP1:8E6L24R5/8US	X	X	X	X	X	X	X	X	X	X	
3	FRENO DE BOCA MUZZLE BRAKE	33192	30 CAL D 17.8 (.700) MUZZLEBRAKE 5/8 24 UNEF	X	X	X	X	X	X	X	X	X	X	
4	RECOIL LUG RECOL LUG	32672C	RECOIL LUG	X	X	X	X	X	X	X	X	X	X	
5	PALANCA RETENCION CERROJO BOLT CATCH LEVER	31411 31411P	TOPE ESCAMOTEABLE B14 TOPE ESCAMOTEABLE B14 PRC FLOORPLATE	X	X	X	X	X	X	X	X	X	X	
6	TORNILLO RETENCION CERROJO BOLT CATCH SCREW	31428	PASADOR TOPE	X	X	X	X	X	X	X	X	X	X	
7	MUELLE RETENCION CERROJO BOLT CATCH SPRING	31585	MUELLE DE TOPE DE BOLT	X	X	X	X	X	X	X	X	X	X	
8	DISPARADOR TRIGGER	32800	BERGARA TRIGGER	X	X	X	X	X	X	X	X	X	X	
9	CUERPO CERROJO BOLT BODY	CMEB14LM01RCF CMEB14SA01RCF CMEB14SM01RCF	33102BF- BOLT MEC B14 LONG MAG RH CARBONO FLUTES 33100F- BOLT MEC B14 SHORT RH CARBONO FLUTES 33100BF-BOLT MAG 6,5PRC MEC B14 SHORT RH CARB FLUT	X	X	X	X	X	X	X	X	X	X	
10	PERCUTOR FIRING PIN	33101 33103	PERCUTOR B14 CORTO 2018 PERCUTOR B14 LARGO 2018	X	X	X	X	X	X	X	X	X	X	
11	MUELLE PERCUTOR FIRING PIN SPRING	32993	MUELLE PERCUTOR B14	X	X	X	X	X	X	X	X	X	X	
12	CASQUILLO DEL PERCUTOR FIRING PIN BUSHING	32994	CORREDERA	X	X	X	X	X	X	X	X	X	X	
13	ENGANCHE DEL PERCUTOR FIRING PIN LOCK	31432D	COCKING PIECE DISP REM	X	X	X	X	X	X	X	X	X	X	
14	CUBIERTA DEL PERCUTOR FIRING PIN SHROUD	32995	CAPUCHON MIM	X	X	X	X	X	X	X	X	X	X	
15	EXPULSOR EJECTOR	31450 31450P	EJECTOR PIN EJECTOR PIN	X	X	X	X	X	X	X	X	X	X	
16	MUELLE EMPUJE EJECTOR PLUNGER SPRING	31451	EJECTOR SPRING	X	X	X	X	X	X	X	X	X	X	
17	PASADOR EMPUJE EJECTOR PIN	31587	PASADOR ESPIRAL DE 2 x 12 DIN 7343	X	X	X	X	X	X	X	X	X	X	
18	MUELLE EXTRACTOR EXTRACTOR SPRING	32197	EXTRACTOR SPRING	X	X	X	X	X	X	X	X	X	X	
19	BOLA DE EXTRACTOR EXTRACTOR BALL	32196	BOLA	X	X	X	X	X	X	X	X	X	X	
20	EXTRACTOR EXTRACTOR	33152 33152B	STANDARD HIP EXTRACTOR MAGNUM HIP EXTRACTOR	X	X	X	X	X	X	X	X	X	X	
21	POMO DEL CERROJO BOLT KNOB	32506	KNOB	X	X	X	X	X	X	X	X	X	X	
22	CULATA STOCK	32304LPRCB 32304LRCB 32304LRB 32304PRCB 32304RBB	RIDGE LONG PRC STOCK WILDERNESS SOFT RIDGE LONG PRC STOCK WILDERNESS SOFT RIDGE LONG STOCK WILDERNESS SOFT RIDGE SHORT PRC STOCK WILDERNESS SOFT RIDGE SHORT STOCK WILDERNESS SOFT	X	X	X	X	X	X	X	X	X	X	
23	ROTULA PORTACORREA SLING SWIVEL	29116	BACK SCREW	X	X	X	X	X	X	X	X	X	X	
24	CANTONERA RECOIL PAD	32315	CANTONERA OBLICUA - 2	X	X	X	X	X	X	X	X	X	X	
25	TRAFONDO CANTONERA RECOILD PAD SCREW	32327	TIRAFONDO. CAB. AVELL. PVC 4x30	X	X	X	X	X	X	X	X	X	X	
26	MUELLE DEL GARGADOR MAGAZINE SPRING	31444C 31444S 32933S	MUELLE MAGAZINE CREEDMOOR MUELLE CAJERA MUELLE MAGAZINE	X	X	X	X	X	X	X	X	X	X	
27	SEGUIDOR FOLLOWER	32115 33180 33181 31427	SEGUIDOR LARGO SEGUIDOR 6.5 PRC SEGUIDOR 300 PRC SEGUIDOR CORTO	X	X	X	X	X	X	X	X	X	X	
28	GUARDAMONTE TRIGGER GUARD	32216 32216L 32216LP 32216P	B14 SHORT SUPPORT B14 LONG SUPPORT B14 LONG SUPPORT PRC B14 SHORT 6.5 PRC SUPPORT	X	X	X	X	X	X	X	X	X	X	
29	BANDEJA DE CARGADOR MAGAZINE TRAY	32218 32218L	B14 SHORT CAP B14 LONG CAP	X	X	X	X	X	X	X	X	X	X	
30	MUELLE BOTON APERTURA OPENING BUTTON SPRING	32219	MUELLE FLOOR PLATE	X	X	X	X	X	X	X	X	X	X	
31	CARGADOR MAGAZINE	32113 33178 33179 31431 32113U	CAJA LARGA CAJERA FLOOR PLATE 6,5 PRC MAGAZIN 300 PRC CAJA CORTA CAJA ULTRA	X	X	X	X	X	X	X	X	X	X	
32	PASADOR GUARDAMONTES TRIGGER GUARD LOCK PINS	32132B	PASADOR Ø2x14 DIN 7	X	X	X	X	X	X	X	X	X	X	
33	BOTON APERTURA CARGADOR TRIGGER GUARD LOCKING PIN	32217	PALANCA B14	X	X	X	X	X	X	X	X	X	X	
34	TORNILLO TRASERO CULATA STOCK REAR SCREW	31422	TORNILLO ALLEN TRASERO CL12	X	X	X	X	X	X	X	X	X	X	
35	TORNILLO DELANTERO CULATA STOCK FRONT SCREW	31422B	TORNILLO DELANTERO B14	X	X	X	X	X	X	X	X	X	X	
		H234	CERAKOTE H-234 SNIPER GREY	X	X	X	X	X	X	X	X	X	X	

WILDERNESS RIDGE FLOORPLATE



2023



BERGARA

BW124-65
BW123-308
BW125-7RM
BW125-300

6,5 Creed.
308 Win
7 Rem Mag
300 Win Mag

#	DESCRIPTION	BOM ITEM	BOM DESCRIPTION	6,5 Creed.	308 Win	7 Rem Mag	300 Win Mag
1	CARCASA RECEIVER	RMEB14LA01RC RMEB14SA01RC	32114-REC MEC B14 LONG RH CARBONO 31434-REC MEC B14 SHORT RH CARBONO	X	X	X	X
2	CAÑON BARREL	TUB14031C TUB14032C TUB14753C TUB14754C	40133-S-RIDGED17,8_6,5CRP1:8E6L22R5/8US 40150-S-RIDGED17,8_308P1:10E6L20R5/8US 40127-LM-RIDGED17,8_300WMP1:10E6L24R5/8US 40127-LM-RIDGED17,8_7mmRMP1:9.5E4L24R5/8US	X	X		X
3	FRENO DE BOCA MUZZLE BRAKE	33192	30 CAL D 17.8 (.700) MUZZLEBRAKE 5/8 24 UNEF	X	X	X	X
4	RECOIL LUG RECOIL LUG	32672C	RECOIL LUG	X	X	X	X
5	PALANCA RETENCION CERROJO BOLT CATCH LEVER	31411	TOPE ESCAMOTEABLE B14	X	X	X	X
6	TORNILLO RETENCION CERROJO BOLT CATCH SCREW	31428	PASADOR TOPE	X	X	X	X
7	MUELLE RETENCION CERROJO BOLT CATCH SPRING	31585	MUELLE DE TOPE DE BOLT	X	X	X	X
8	DISPARADOR TRIGGER	32800	BERGARA TRIGGER	X	X	X	X
9	CUERPO CERROJO BOLT BODY	CMEB14LM01RCF CMEB14SA01RCF	33102BF- BOLT MEC B14 LONG MAG RH CARBONO FLUTES 33100F- BOLT MEC B14 SHORT RH CARBONO FLUTES	X	X		X
10	PERCUTOR FIRING PIN	33101 33103	PERCUTOR B14 CORTO 2018 PERCUTOR B14 LARGO 2018	X	X		X
11	MUELLE PERCUTOR FIRING PIN SPRING	32993	MUELLE PERCUTOR B14	X	X	X	X
12	CASQUILLO DEL PERCUTOR FIRING PIN BUSHING	32994	CORREDERA	X	X	X	X
13	ENGANCHE DEL PERCUTOR FIRING PIN LOCK	31432D	COCKING PIECE DISP REM	X	X	X	X
14	CUBIERTA DEL PERCUTOR FIRING PIN SHROUD	32995	CAPUCHON MIM	X	X	X	X
15	EXPULSOR EJECTOR	31450	EJECTOR PIN	X	X	X	X
16	MUELLE EMPUJE EJECTOR PLUNGER SPRING	31451	EJECTOR SPRING	X	X	X	X
17	PASADOR EMPUJE EJECTOR PIN	31587	PASADOR ESPIRAL DE 2 x 12 DIN 7343	X	X	X	X
18	MUELLE EXTRACTOR EXTRACTOR SPRING	32197	EXTRACTOR SPRING	X	X	X	X
19	BOLA DE EXTRACTOR EXTRACTOR BALL	32196	BOLA	X	X	X	X
20	EXTRACTOR EXTRACTOR	33152 33152B	STANDARD HIP EXTRACTOR MAGNUM HIP EXTRACTOR	X	X		X
21	POMO DEL CERROJO BOLT KNOB	32506	KNOB	X	X	X	X
22	CULATA STOCK	32304RB 32304LRB	RIDGE SHORT STOCK WILDERNESS SOFT RIDGE LONG STOCK WILDERNESS SOFT	X	X		X
23	ROTULA PORTACORREA SLING SWIVEL	29116	BACK SCREW	X	X	X	X
24	CANTONERA RECOIL PAD	32315	CANTONERA OBLICUA - 2	X	X	X	X
25	TIRAFONDO CANTONERA RECOIL PAD SCREW	32327	TIRAFONDO. CAB. AVELL..PVC 4x30	X	X	X	X
26	GUARDAMONTE TRIGGER GUARD	32333 32333L	GUARDAMONTES B14 CAJERA CORTO GUARDAMONTE CAJERA LARGO	X	X		X
27	PALANCA SUJECCION CARGADOR MAGAZINE CLAMPING LEVER	32334	PALANCA	X	X	X	X
28	MUELLE PALANCA LEVER SPRING	32335	MUELLE PALANCA	X	X	X	X
29	CHAPA EMPUJE CARGADOR MAGAZINE PUSHING PLATE	32336	CHAPA EMPUJE	X	X	X	X
30	PASADOR EMPUJE PUSHING PIN	32338	PASADOR Ø4x6 DIN7	X	X	X	X
31	CARGADOR MAGAZINE	32343 32343M	CAJERA CORTA B14 CAJERA LARGA MAGNUM B14	X	X		X
32	TORNILLO REGULADOR REGULATION SPRING	32357	TORNILLO M4x10 (TORNILLO HAFELE)	X	X	X	X
33	MUELLE DE EMPUJE PUSHING SPRING	32313	MUELLE	X	X	X	X
34	PASADOR GUARDAMONTES TRIGGER GUARD LOCKING PIN	32132B	PASADOR Ø2x14 DIN 7	X	X	X	X
35	TORNILLO TRASERO CULATA STOCK REAR SCREW	31422	TORNILLO ALLEN TRASERO CL12	X	X	X	X
36	TORNILLO DELANTERO CULATA STOCK FRONT SCREW	31422C	TORNILLO DELANTERO B14	X	X	X	X
*		H234	CERAKOTE H-234 SNIPER GREY	X	X	X	X

WILDERNESS RIDGE MAGAZINE



Documento de soporte. En caso de duda o discrepancia consultar la última actualización del Listado de Materiales en la ERP (Libra).

Rev 3
Fecha 11/10/2023