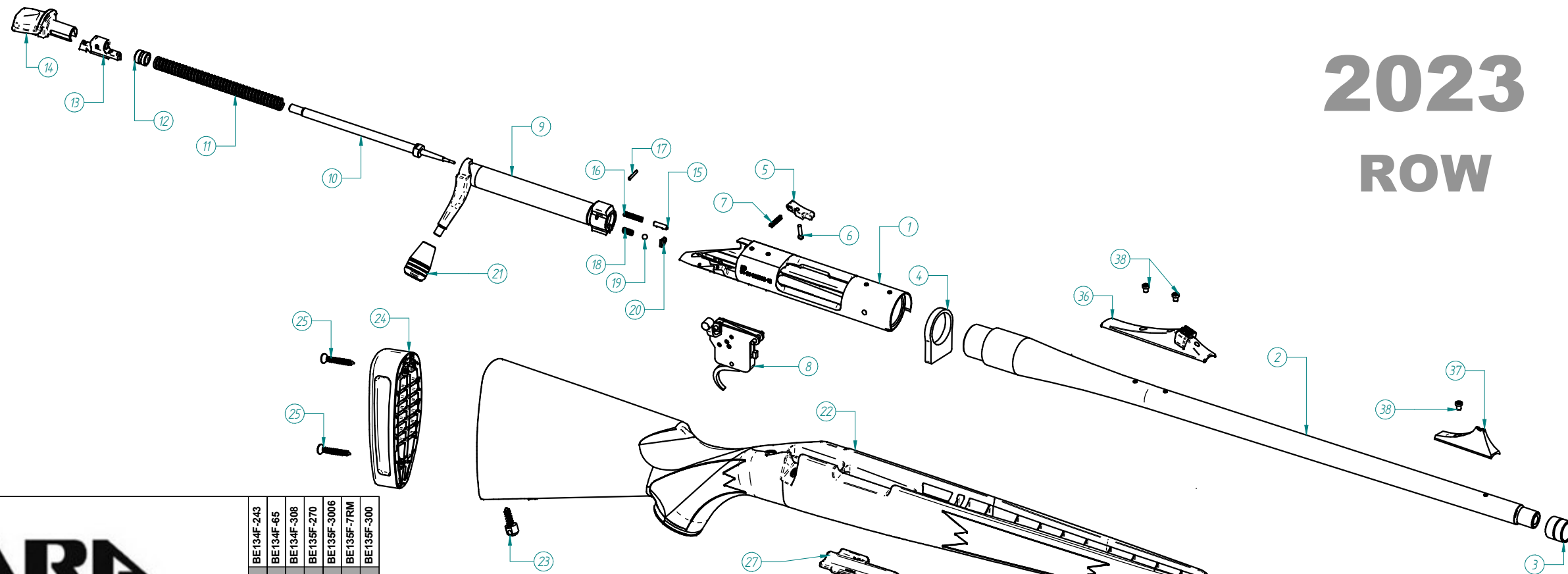


2023 ROW



#	DESCRIPTION	BOM ITEM	BOM DESCRIPTION	BE134F-243	BE134F-65	BE134F-308	BE135F-270	BE135F-3006	BE135F-7RM	BE135F-300
				243 Win	6,5 Creed	308 Win	270 Win	30-06 Spring	7 Rem Mag	300 Win Mag
1	CARCASA RECEIVER	RMEB14LA01RC RMEB14SA01RC	32114-REC MEC B14 LONG RH CARBONO 31434-REC MEC B14 SHORT RH CARBONO	X	X	X	X	X	X	X
2	CAÑON BARREL	31700R 31701R 31702R 31712R 31714R TUB14601C TUB14602C	31700R-S-HUNT-D16,6-308P1:12L22RM14EU 31700R-S-HUNT-D16,6-243P1:10L22RM14EU 31700R-S- B14-HUN 6,5 CR P 1:8 L=22 31710R-LM-HUNTD16,6_300WMP1:10E6L24M14EU 31710R-LM-HUNTD16,6_7REMP1:9,5E4L24M14EU 31710R-L-HUNTD16,6_270P1:10E6L24M14EU 31710R-L-HUNTD16,6_30-06P1:10L24M14EU	X	X					X
3	CUBRE ROSCAS THREAD CUP	32322	CUBRE-ROSCAS B14 - M14x1 - Ø16,8	X	X	X	X	X	X	X
4	RECOIL LUG RECOIL LUG	32672C	RECOIL LUG	X	X	X	X	X	X	X
5	PALANCA RETENCION CERROJO BOLT CATCH LEVER	31411	TOPE ESCAMOTEABLE B14	X	X	X	X	X	X	X
6	TORNILLO RETENCION CERROJO BOLT CATCH SCREW	31428	PASADOR TOPE	X	X	X	X	X	X	X
7	MUELLE RETENCION CERROJO BOLT CATCH SPRING	31585	MUELLE DE TOPE DE BOLT	X	X	X	X	X	X	X
8	DISPARADOR TRIGGER	32800	BERGARA TRIGGER	X	X	X	X	X	X	X
9	CUERPO CERROJO BOLT BODY	CMEB14LA01RC CMEB14LM01RC CMEB14SA01RC	33102- BOLT MEC B14 LONG RH CARBONO 33102B- BOLT MEC B14 LONG MAG RH CARBONO 33100- BOLT MEC B14 SHORT RH CARBONO	X	X	X		X		X
10	PERCUTOR FIRING PIN	33101 33103	PERCUTOR B14 CORTO 2018 PERCUTOR B14 LARGO 2018	X	X	X		X		X
11	MUELLE PERCUTOR FIRING PIN SPRING	32993	MUELLE PERCUTOR B14	X	X	X	X	X	X	X
12	CASQUILLO DEL PERCUTOR FIRING PIN BUSHING	32994	CORREDERA	X	X	X	X	X	X	X
13	ENGANCHE DEL PERCUTOR FIRING PIN LOCK	31432D	COCKING PIECE DISP REM	X	X	X	X	X	X	X
14	CUBIERTA DEL PERCUTOR FIRING PIN SHROUD	32995	CAPUCHON MIM	X	X	X	X	X	X	X
15	EXPULSOR EJECTOR	31450	EJECTOR PIN	X	X	X	X	X	X	X
16	MUELLE EMPUJE EJECTOR PLUNGER SPRING	31451	EJECTOR SPRING	X	X	X	X	X	X	X
17	PASADOR EMPUJE EJECTOR PIN	31587	PASADOR ESPIRAL DE 2 x 12 DIN 7343	X	X	X	X	X	X	X
18	MUELLE EXTRACTOR EXTRACTOR SPRING	32197	EXTRACTOR SPRING	X	X	X	X	X	X	X
19	BOLA DE EXTRACTOR EXTRACTOR BALL	32196	BOLA	X	X	X	X	X	X	X
20	EXTRACTOR EXTRACTOR	33152 33152B	STANDARD HIP EXTRACTOR MAGNUM HIP EXTRACTOR	X	X	X	X			X
21	POMO DEL CERROJO BOLT KNOB	33056B	POMO BMR-B14	X	X	X	X	X	X	X
22	CULATA STOCK	32304LG 32304G	HUNTER LONG STOCK GREEN-TAN+BLACK DOTS SOFT HUNTER SHORT STOCK GREEN-TAN+BLACK DOTS SOFT	X	X	X		X		X
23	ROTULA PORTACORREA SLING SWIVEL	29116	BACK SCREW	X	X	X	X	X	X	X
24	CANTONERA RECOIL PAD	32315	CANTONERA OBLICUA - 2	X	X	X	X	X	X	X
25	TIRAFONDO CANTONERA RECOIL PAD SCREW	32327	TIRAFONDO. CAB. AVELL. PVC 4x30	X	X	X	X	X	X	X
26	MUELLE DEL GARGADOR MAGAZINE SPRING	31444S 31444C	MUELLE CAJERA MUELLE MAGAZINE CREEDMOOR	X	X	X	X	X	X	X
27	SEGUIDOR FOLLOWER	31427 32115	SEGUIDOR CORTO SEGUIDOR LARGO	X	X	X	X	X	X	X
28	GUARDAMONTE TRIGGER GUARD	32216 32116L	B14 SHORT SUPPORT B14 LONG SUPPORT	X	X	X	X	X	X	X
29	BANDEJA DE CARGADOR MAGAZINE TRAY	32218 32218L	B14 SHORT CAP B14 LONG CAP	X	X	X	X	X	X	X
30	MUELLE BOTON APERTURA OPENING BUTTON SPRING	32219	MUELLE FLOOR PLATE	X	X	X	X	X	X	X
31	CARGADOR MAGAZINE	31431 32113 32113U	CAJA CORTA CAJA LARGA CAJA ULTRA	X	X	X	X	X		X
32	PASADOR GUARDAMONTES TRIGGER GUARD LOCK PINS	32132B	PASADOR Ø2x14 DIN 7	X	X	X	X	X	X	X
33	BOTON APERTURA CARGADOR TRIGGER GUARD LOCKING PIN	32217	PALANCA B14	X	X	X	X	X	X	X
34	TORNILLO TRASERO CULATA STOCK REAR SCREW	31422	TORNILLO ALLEN TRASERO CL12	X	X	X	X	X	X	X
35	TORNILLO DELANTERO CULATA STOCK FRONT SCREW	31422B	TORNILLO DELANTERO B14	X	X	X	X	X	X	X
36	CONJUNTO ALZA REAR SIGHT	31660	CONJUNTO ALZA BX11	X	X	X	X	X	X	X
37	CONJUNTO MIRA FRONT SIGHT	32282	MIRA BX11	X	X	X	X	X	X	X
38	TORNILLO ALZA-MIRA SIGHT SCREWS	20549T H146	TORNILLO DE FIJACION A Y M TORX CERAKOTE H-146 GRAPHITE BLACK	X	X	X	X	X	X	X

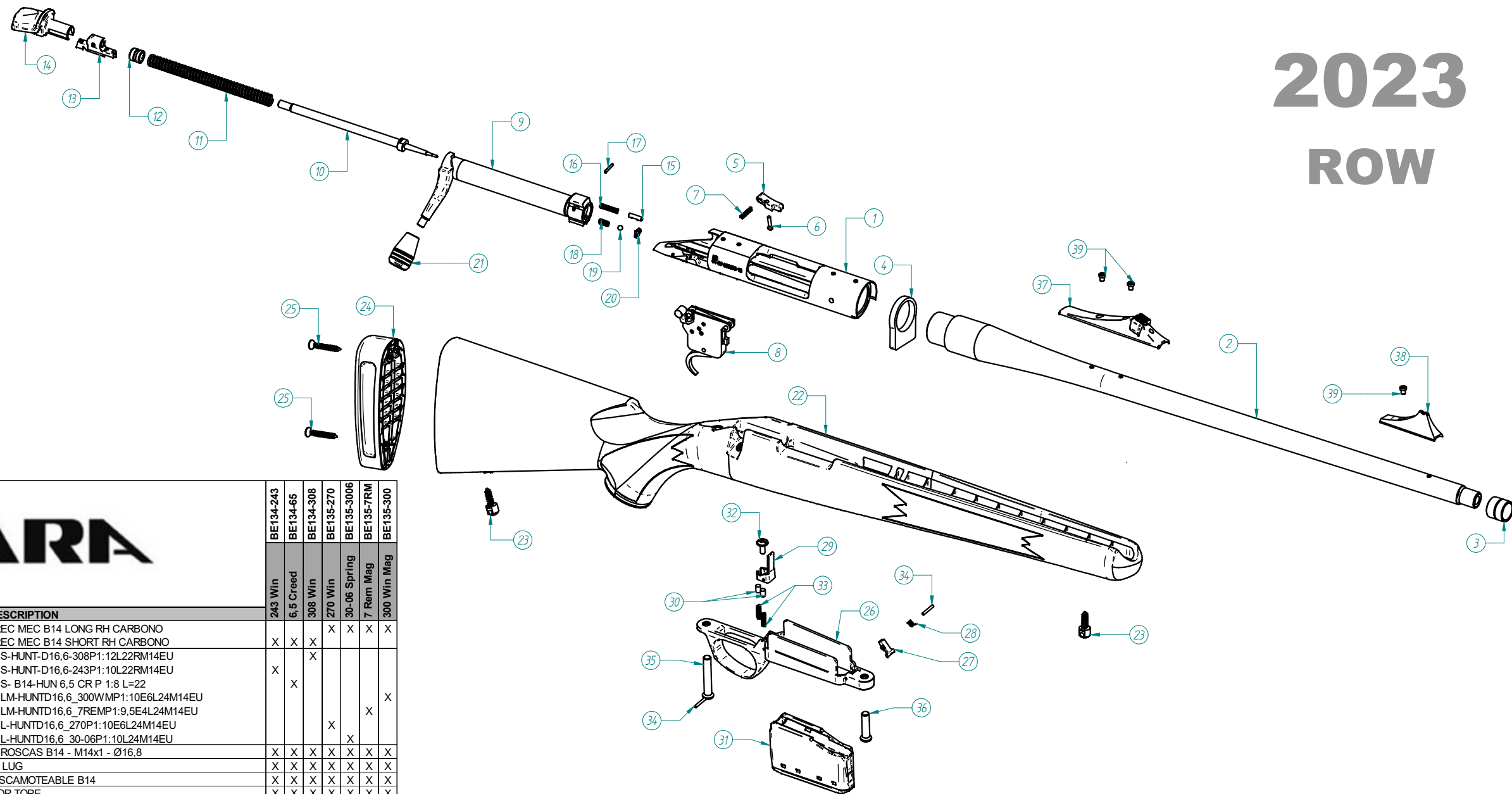
B14 HUNTER FLOOR PLATE



Documento de soporte. En caso de duda o discrepancia consultar la última actualización del Listado de Materiales en la ERP (Libra) .

Rev 2
Fecha 11/10/2023

2023 ROW



B14 HUNTER MAGAZINE



#	DESCRIPTION	BOM ITEM	BOM DESCRIPTION	BE134-243	BE134-65	BE134-308	BE135-270	BE135-3006	BE135-7RM	BE135-300
				243 Win	6,5 Creed	308 Win	270 Win	30-06 Spring	7 Rem Mag	300 Win Mag
1	CARCASA RECEIVER	RMEB14LA01RC RMEB14SA01RC	32114-REC MEC B14 LONG RH CARBONO 31434-REC MEC B14 SHORT RH CARBONO	X	X	X	X	X	X	X
2	CAÑON BARREL	31700R 31701R 31702R 31712R 31714R TUB14601C TUB14602C	31700R-S-HUNT-D16,6-308P1:12L22RM14EU 31700R-S-HUNT-D16,6-243P1:10L22RM14EU 31700R-S- B14-HUN 6,5 CR P 1:8 L=22 31710R-LM-HUNTD16,6_300WMP1:10E6L24M14EU 31710R-LM-HUNTD16,6_7REMP1:9.5E4L24M14EU 31710R-L-HUNTD16,6_270P1:10E6L24M14EU 31710R-L-HUNTD16,6_30-06P1:10L24M14EU	X	X					X
3	CUBRE ROSCAS THREAD CUP	32322	CUBRE-ROSCAS B14 - M14x1 - Ø16,8	X	X	X	X	X	X	X
4	RECOIL LUG RECOIL LUG	32672C	RECOIL LUG	X	X	X	X	X	X	X
5	PALANCA RETENCION CERROJO BOLT CATCH LEVER	31411	TOPE ESCAMOTEABLE B14	X	X	X	X	X	X	X
6	TORNILLO RETENCION CERROJO BOLT CATCH SCREW	31428	PASADOR TOPE	X	X	X	X	X	X	X
7	MUELLE RETENCION CERROJO BOLT CATCH SPRING	31585	MUELLE DE TOPE DE BOLT	X	X	X	X	X	X	X
8	DISPARADOR TRIGGER	32800	BERGARA TRIGGER	X	X	X	X	X	X	X
9	CUERPO CERROJO BOLT BODY	CMEB14LA01RC CMEB14LM01RC CMEB14SA01RC	33102- BOLT MEC B14 LONG RH CARBONO 33102B- BOLT MEC B14 LONG MAG RH CARBONO 33100- BOLT MEC B14 SHORT RH CARBONO	X	X	X				X
10	PERCUTOR FIRING PIN	33101 33103	PERCUTOR B14 CORTO 2018 PERCUTOR B14 LARGO 2018	X	X	X				
11	MUELLE PERCUTOR FIRING PIN SPRING	32993	MUELLE PERCUTOR B14	X	X	X	X	X	X	X
12	CASQUILLO DEL PERCUTOR FIRING PIN BUSHING	32994	CORREDERA	X	X	X	X	X	X	X
13	ENGANCHE DEL PERCUTOR FIRING PIN LOCK	31432D	COCKING PIECE DISP REM	X	X	X	X	X	X	X
14	CUBIERTA DEL PERCUTOR FIRING PIN SHROUD	32995	CAPUCHON MM	X	X	X	X	X	X	X
15	EXPULSOR EJECTOR	31450	EJECTOR PIN	X	X	X	X	X	X	X
16	MUELLE EMPUJE EJECTOR PLUNGER SPRING	31451	EJECTOR SPRING	X	X	X	X	X	X	X
17	PASADOR EMPUJE EJECTOR PIN	31587	PASADOR ESPIRAL DE 2 x 12 DIN 7343	X	X	X	X	X	X	X
18	MUELLE EXTRACTOR EXTRACTOR SPRING	32197	EXTRACTOR SPRING	X	X	X	X	X	X	X
19	BOLA DE EXTRACTOR EXTRACTOR BALL	32196	BOLA	X	X	X	X	X	X	X
20	EXTRACTOR EXTRACTOR	33152 33152B	STANDARD EXTRACTOR MAGNUM HIP EXTRACTOR	X	X	X	X	X		X
21	POMO DEL CERROJO BOLT KNOB	33056B	POMO BMR-B14	X	X	X	X	X	X	X
22	CULATA STOCK	32304LG 32304G	CULAT B14 HUNTER GREEN BASE+ TAN+BL DOTS CULATA PLASTICO B14 CORTA CAMO GREEN	X	X	X		X	X	X
23	ROTULA PORTACORREA SLING SWIVEL	29116	BACK SCREW	X	X	X	X	X	X	X
24	CANTONERA RECOIL PAD	32315	CANTONERA OBLICUA - 2	X	X	X	X	X	X	X
25	TIRAFONDO CANTONERA RECOIL PAD SCREW	32327	TIRAFONDO. CAB. AVELL..PVC 4x30	X	X	X	X	X	X	X
26	GUARDAMONTE TRIGGER GUARD	32333 32333L	GUARDAMONTES B14 CAJERA CORTO GUARDAMONTE CAJERA LARGO	X	X	X		X	X	X
27	PALANCA SUJECCION CARGADOR MAGAZINE CLAMPING LEVER	32334	PALANCA	X	X	X	X	X	X	X
28	MUELLE PALANCA LEVER SPRING	32335	MUELLE PALANCA	X	X	X	X	X	X	X
29	CHAPA EMPUJE CARGADOR MAGAZINE PUSHING PLATE	32336	CHAPA EMPUJE	X	X	X	X	X	X	X
30	PASADOR EMPUJE PUSHING PIN	32338	PASADOR Ø4x6 DIN7	X	X	X	X	X	X	X
31	CARGADOR MAGAZINE	32343 32343L 32343M	CAJERA CORTA B14 CAJERA LARGA B14 CAJERA LARGA MAGNUM B14	X	X	X		X	X	X
32	TORNILLO REGULADOR REGULATION SPRING	32357	TORNILLO M4x10 (TORNILLO HAFELE)	X	X	X	X	X	X	X
33	MUELLE DE EMPUJE PUSHING SPRING	32313	MUELLE	X	X	X	X	X	X	X
34	PASADOR GUARDAMONTES TRIGGER GUARD LOCKING PIN	32132B	PASADOR Ø2x14 DIN 7	X	X	X	X	X	X	X
35	TORNILLO TRASERO CULATA STOCK REAR SCREW	31422	TORNILLO ALLEN TRASERO CL 12	X	X	X	X	X	X	X
36	TORNILLO DELANTERO CULATA STOCK FRONT SCREW	31422C	TORNILLO DELANTERO B14	X	X	X	X	X	X	X
37	CONJUNTO ALZA REAR SIGHT	31660	CONJUNTO ALZA BX11	X	X	X	X	X	X	X
38	CONJUNTO MIRA FRONT SIGHT	32282	MIRA BX11	X	X	X	X	X	X	X
39	TORNILLO ALZA-MIRA SIGHT SCREWS	20549T	TORNILLO DE FIJACION A Y M TORX	X	X	X	X	X	X	X
*		H146	CERAKOTE H-146 GRAPHITE BLACK	X	X	X	X	X	X	X