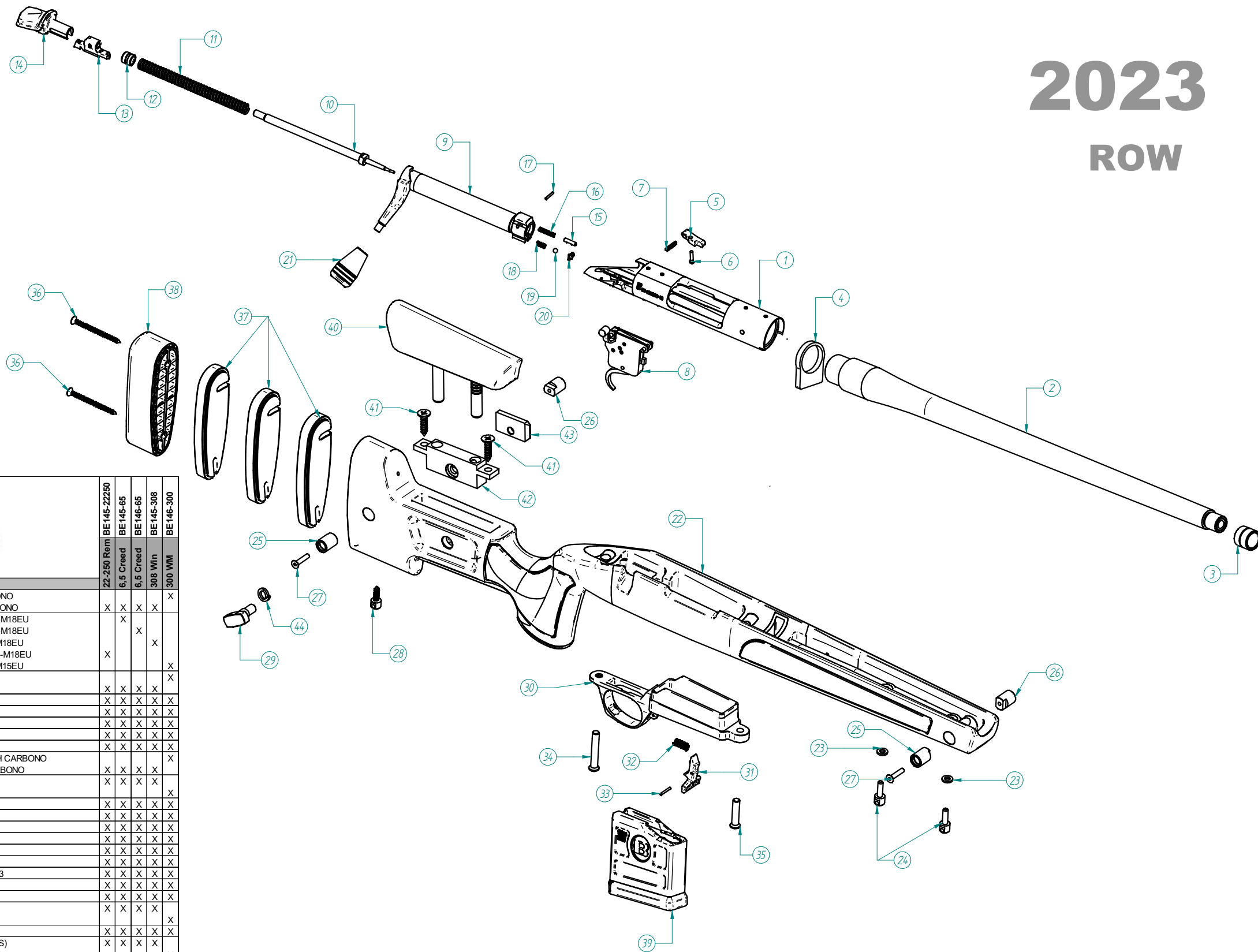


2023 ROW



#	DESCRIPTION	BOM ITEM	BOM DESCRIPTION				
				22-250 Rem	6.5 Creed	6.5 Creed	308 Win
1	CARCASA RECEIVER	RMEB14LA01RC RMEB14SA01RC	32114-REC MEC B14 LONG RH CARBONO 31434-REC MEC B14 SHORT RH CARBONO	X	X	X	X
2	CAÑÓN BARREL	TUB14262C TUB14263C TUB14282C TUB14354C TUB14701C	40116-S-BMPD21,2-6,5CRP1:8E6L24C-M18EU 40219-S-BMPD21,2-6,5CRP1:8E6L26C-M18EU 40116-S-BMPD21,2-308P1:10E6L24C-M18EU 40116-S-BMPD21,2-22-250P1:9E6L24C-M18EU 40134-LM-HMRD19-300WMP1:10L26RM15EU	X			X
3	CUBRE ROSCAS TREAD CUP	32418 32558	CUBRE-ROSCAS B14 - M15x1 - Ø19 CUBRE ROSCAS M18x1 Ø23 PAVON	X	X	X	X
4	RECOIL LUG RECOIL LUG	32672C	RECOIL LUG	X	X	X	X
5	PALANCA RETENCION CERROJO BOLT CATCH LEVER	31411	TOPE ESCAMOTEABLE B14	X	X	X	X
6	TORNILLO RETENCION CERROJO BOLT CATCH SCREW	31428	PASADOR TOPE	X	X	X	X
7	MUELLE RETENCION CERROJO BOLT CATCH SPRING	31585	MUELLE DE TOPE DE BOLT	X	X	X	X
8	DISPARADOR TRIGGER	32800	BERGARA TRIGGER	X	X	X	X
9	CUERPO CERROJO BOLT BODY	CMEB14LM01RC CMEB14SA01RC	33102B- BOLT MEC B14 LONG MAG RH CARBONO 33100- BOLT MEC B14 SHORT RH CARBONO	X	X	X	X
10	PERCUTOR FIRING PIN	33101 33103	PERCUTOR B14 CORTO 2018 PERCUTOR B14 LARGO 2018	X	X	X	X
11	MUELLE PERCUTOR FIRING PIN SPRING	32993	MUELLE PERCUTOR B14	X	X	X	X
12	CASQUILLO DEL PERCUTOR FIRING PIN BUSHING	32994	CORREDERA	X	X	X	X
13	ENGANCHE DEL PERCUTOR FIRING PIN LOCK	31432D	COCKING PIECE DISP REM	X	X	X	X
14	CUBIERTA DEL PERCUTOR FIRING PIN SHROUD	32995	CAPUCHON MIM	X	X	X	X
15	EXPULSOR EJECTOR	31450	EJECTOR PIN	X	X	X	X
16	MUELLE EMPUJE EJECTOR PLUNGER SPRING	31451	EJECTOR SPRING	X	X	X	X
17	PASADOR EMPUJE EJECTOR PIN	31587	PASADOR ESPIRAL DE 2 x 12 DIN 7343	X	X	X	X
18	MUELLE EXTRACTOR EXTRACTOR SPRING	32197	EXTRACTOR SPRING	X	X	X	X
19	BOLA DE EXTRACTOR EXTRACTOR BALL	32196	BOLA	X	X	X	X
20	EXTRACTOR EXTRACTOR	33152 33152B	STANDARD HIP EXTRACTOR MAGNUM HIP EXTRACTOR	X	X	X	X
21	POMO DEL CERROJO BOLT KNOB	32506	KNOB	X	X	X	X
22	CULATA STOCK	32467M 32555M	HMR SHORT STOCK (TAN-BLACK DOTS) HMR LONG STOCK (TAN-BLACK DOTS)	X	X	X	X
23	ARANDELA DE PLASTICO PLASTIC WASHER	32576	ARANDELA DE NYLON NEGRO 5,3	X	X	X	X
24	ROTULA PORTACORREAS DEL. FRONT SLING SWIVEL	32497	SWIVEL STUD - UN	X	X	X	X
25	SOPORTE PORTACORR. DCH. RIGHT SLING SWIVEL	32475	FLUSH CUP - THREADED	X	X	X	X
26	SOPORTE PORTACORR. IZQ. LEFT SLING SWIVEL	32474	FLUSH CUP - RIVETED	X	X	X	X
27	TORNILLO SUJECC SOPORTES SLING SWIVEL SCREW	32476	FLUSH CUP SCREW - FRONT	X	X	X	X
28	ROTULA PORTACORREAS TRAS. REAL SLING SWIVEL	29116	BACK SCREW	X	X	X	X
29	TORNILLO REG. CARRILLERA CHECK PIECE REGULATION SCREW	32484	KNOB FOR CHEEK PIECE	X	X	X	X
30	GUARDAMONTES TRIGGER GUARD	32493 32557	TRIGGER GUARD TRIGGER GUARD - LONG VERSION	X	X	X	X
31	PALANCA CARGADOR LEVER	32494	LEVER	X	X	X	X
32	MUELLE PALANCA CARGADOR LEVER SPRING	32496	SPRING FOR MAGAZINE LEVER	X	X	X	X
33	PASADOR PALANCA CARGADOR LEVER PIN	29957	PASADOR ESPIRAL DE 2 x 14 DIN 7343	X	X	X	X
34	TORNILLO TRASERO CULATA STOCK REAR SCREW	31422	TORNILLO ALLEN TRASERO CL12	X	X	X	X
35	TORNILLO DELANTERO CULATA STOCK FRONT SCREW	31422B	TORNILLO ALLEN DELANTERO CL12	X	X	X	X
36	TIRAFONDO CANTONERA RECOIL PAD SCREW	32489	SCREW FOR RECOIL PAD	X	X	X	X
37	SEPARADOR CANTONERA RECOIL PAD SPACER	32490	SPACER FOR RECOIL PAD	X	X	X	X
38	CANTONERA RECOIL PAD	33339	RECOIL PAD	X	X	X	X
39	CARGADOR MAGAZINE	32820 33153	5 ROUND MAG - SHORT - AICS COMPATIBLE AICS COMPATIBLE LONG 5 ROUND MAG	X	X	X	X
40	CARRILLERA CHECK PIECE	32465M 32696M	CHEEK PIECE - KNOB (TAN + BLACK) CHEEK PIECE -LONG (TAN + BLACK)	X	X	X	X
41	TIRAFONDO SUJECCION BASE SUPPORT SCREW	32469	SCREW FOR CHECK PIECE GUIDE	X	X	X	X
42	BASE GUIA CARRILLERA SUPPORT FOR THE GUIDE	32510	FRONT BASE	X	X	X	X
43	TUERCA FIJACION CARRILLERA CHECK PIECE REGULATION NUT	32524	NUT	X	X	X	X
44	ARANDELA DE PRESION FIXING WASHER	33130 H146	ARANDELA DE PRESION 8 DIN 7980 (GROWER) CERAKOTE H-146 GRAPHITE BLACK	X	X	X	X

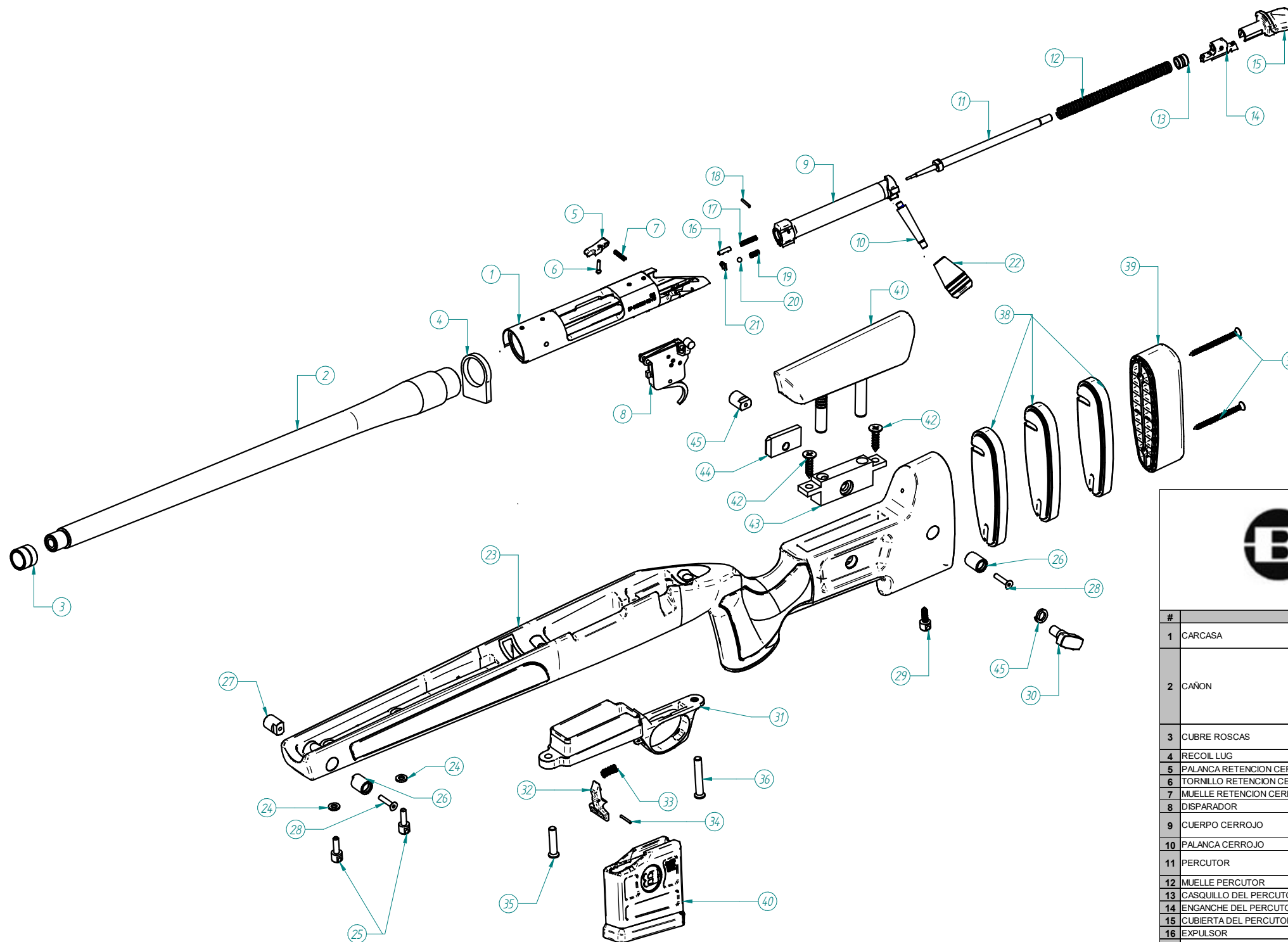
B14 HMR



Documento de soporte. En caso de duda o discrepancia consultar la última actualización del Listado de Materiales en la ERP (Libra).

Rev 2
Fecha 11/10/2023

2023 ROW



B14 HMR LEFT



Documento de soporte. En caso de duda o discrepancia consultar la última actualización del Listado de Materiales en la ERP (Libra).

Rev	2
Fecha	11/10/2023



#	DESCRIPTION	BOM ITEM	BOM DESCRIPTION	BE145-22250Z	BE145-65Z	BE146-65Z	BE143-308Z	BE145-300Z	BE146-300Z
1	CARCASA RECEIVER	RMEB14LA01LC RMEB14SA01LC	32117-REC MEC B14 LONG LH CARBONO 33118-REC MEC B14 SHORT LH CARBONO	X	X	X	X	X	X
2	CAÑÓN BARREL	TUB14262C TUB14282C TUB14351C TUB14354C TUB14701C	40116-S-BMPD21,2-6,5CRP1:8E6L24C-M18EU 40219-S-BMPD21,2-6,5CRP1:8E6L26C-M18EU 40116-S-BMPD21,2-308P1:10E6L24C-M18EU 40106-S-HMRD19-308P1:10L20M15EU 40116-S-BMPD21,2-22-250P1:9E6L24C-M18EU 40134-LM-HMRD19-300WMP1:10L26RM15EU	X			X		X
3	CUBRE ROSCAS TREAD CUP	32418 32558	CUBRE-ROSCAS B14 - M15x1 - Ø19 CUBRE ROSCAS M18x1 Ø23 PAVON	X	X	X		X	X
4	RECOIL LUG RECOIL LUG	32672C	RECOIL LUG	X	X	X	X	X	X
5	PALANCA RETENCION CERROJO BOLT CATCH LEVER	31411	TOPE ESCAMOTEABLE B14	X	X	X	X	X	X
6	TORNILLO RETENCION CERROJO BOLT CATCH SCREW	31428	PASADOR TOPE	X	X	X	X	X	X
7	MUELLE RETENCION CERROJO BOLT CATCH SPRING	31585	MUELLE DE TOPE DE BOLT	X	X	X	X	X	X
8	DISPARADOR TRIGGER	32800L	BERGARA TRIGGER - LEFT HANDED	X	X	X	X	X	X
9	CUERPO CERROJO BOLT BODY	CMEB14LM01LC CMEB14SA01LC	33119B- BOLT MEC B14 LONG MAG LH CARBONO 33120- BOLT MEC B14 SHORT LH CARBONO	X	X	X	X	X	X
10	PALANCA CERROJO BOLT HAND LEVER	33122	B14 LEFT PALANCA	X	X	X	X	X	X
11	PERCUTOR FIRING PIN	33101 33103	PERCUTOR B14 CORTO 2018 PERCUTOR B14 LARGO 2018	X	X	X	X	X	X
12	MUELLE PERCUTOR FIRING PIN SPRING	32993	MUELLE PERCUTOR B14	X	X	X	X	X	X
13	CASQUILLO DEL PERCUTOR FIRING PIN BUSHING	32994	CORREDERA	X	X	X	X	X	X
14	ENGANCHE DEL PERCUTOR FIRING PIN LOCK	33121D	B14 LEFT COCKING PIECE	X	X	X	X	X	X
15	CUBIERTA DEL PERCUTOR FIRING PIN SHROUD	32995	CAPUCHON MIM	X	X	X	X	X	X
16	EXPULSOR EJECTOR	31450	EJECTOR PIN	X	X	X	X	X	X
17	MUELLE EMPUJE EJECTOR PLUNGER SPRING	31451	EJECTOR SPRING	X	X	X	X	X	X
18	PASADOR EMPUJE EJECTOR PIN	31587	PASADOR ESPIRAL DE 2 x 12 DIN 7343	X	X	X	X	X	X
19	MUELLE EXTRACTOR EXTRACTOR SPRING	32197	EXTRACTOR SPRING	X	X	X	X	X	X
20	BOLA DE EXTRACTOR EXTRACTOR BALL	32196	BOLA	X	X	X	X	X	X
21	EXTRACTOR EXTRACTOR	33152 33152B	STANDARD HIP EXTRACTOR MAGNUM HIP EXTRACTOR	X	X	X	X	X	X
22	POMO DEL CERROJO BOLT KNOB	32506	KNOB	X	X	X	X	X	X
23	CULATA STOCK	33107M 33110M	HMR SHORT LH STOCK (TAN-BLACK DOTS) HMR LONG LH STOCK (TAN-BLACK DOTS)	X	X	X	X	X	X
24	ARANDELA DE PLASTICO PLASTIC WASHER	32576	ARANDELA DE NYLON NEGRO 5,3	X	X	X	X	X	X
25	ROTULA PORTACORREAS DEL. FRONT SLING SWIVEL	32497	SWIVEL STUJ - LIN	X	X	X	X	X	X
26	SOPORTE PORTACORR. DCH. RIGHT SLING SWIVEL	32475	FLUSH CUP - THREADED	X	X	X	X	X	X
27	SOPORTE PORTACORR. IZQ. LEFT SLING SWIVEL	32474	FLUSH CUP - RIVETED	X	X	X	X	X	X
28	TORNILLO SUECC SOPORTES SLING SWIVEL SCREW	32476	FLUSH CUP SCREW - FRONT	X	X	X	X	X	X
29	ROTULA PORTACORREAS TRAS. REAL SLING SWIVEL	29116	BACK SCREW	X	X	X	X	X	X
30	TORNILLO REG. CARRILLERA CHECK PIECE REGULATION SCREW	32484	KNOB FOR CHEEK PIECE	X	X	X	X	X	X
31	GUARDAMONTES TRIGGER GUARD	32493 32557	TRIGGER GUARD TRIGGER GUARD - LONG VERSION	X	X	X	X	X	X
32	PALANCA CARGADOR LEVER	32494	LEVER	X	X	X	X	X	X
33	MUELLE PALANCA CARGADOR LEVER SPRING	32496	SPRING FOR MAGAZINE LEVER	X	X	X	X	X	X
34	PASADOR PALANCA CARGADOR LEVER PIN	29957	PASADOR ESPIRAL DE 2 x 14 DIN 7343	X	X	X	X	X	X
35	TORNILLO TRASERO CULATA STOCK REAR SCREW	31422	TORNILLO ALLEN TRASERO CL12	X	X	X	X	X	X
36	TORNILLO DELANTERO CULATA STOCK FRONT SCREW	31422B	TORNILLO ALLEN DELANTERO CL12	X	X	X	X	X	X
37	TIRAFONDO CANTONERA RECOIL PAD SCREW	32489	SCREW FOR RECOIL PAD	X	X	X	X	X	X
38	SEPARADOR CANTONERA RECOIL PAD SPACER	32490	SPACER FOR RECOIL PAD	X	X	X	X	X	X
39	CANTONERA RECOIL PAD	33339	RECOIL PAD	X	X	X	X	X	X
40	CARGADOR MAGAZINE	32820 33153	5 ROUND MAG - SHORT - AICS COMPATIBLE AICS COMPATIBLE LONG 5 ROUND MAG	X	X	X	X	X	X
41	CARRILLERA CHEECK PIECE	32465M 32696M	CHEEK PIECE - KNOB (TAN + BLACK) CHEEK PIECE -LONG (TAN + BLACK)	X	X	X	X	X	X
42	TIRAFONDO SUECCION BASE SUPPORT SCREW	32469	SCREW FOR CHECK PIECE GUIDE	X	X	X	X	X	X
43	BASE GUIA CARRILLERA SUPPORT FOR THE GUIDE	32510	FRONT BASE	X	X	X	X	X	X
44	TUERCA FIJACION CARRILLERA CHECK PIECE REGULATION NUT	32524	NUT	X	X	X	X	X	X
45	ARANDELA DE PRESION FIXING WASHER	33130	ARANDELA DE PRESION 8 DIN 7980 (GROWER)	X	X	X	X	X	X
*		H146	CERAKOTE H-146 GRAPHITE BLACK	X	X	X	X	X	X