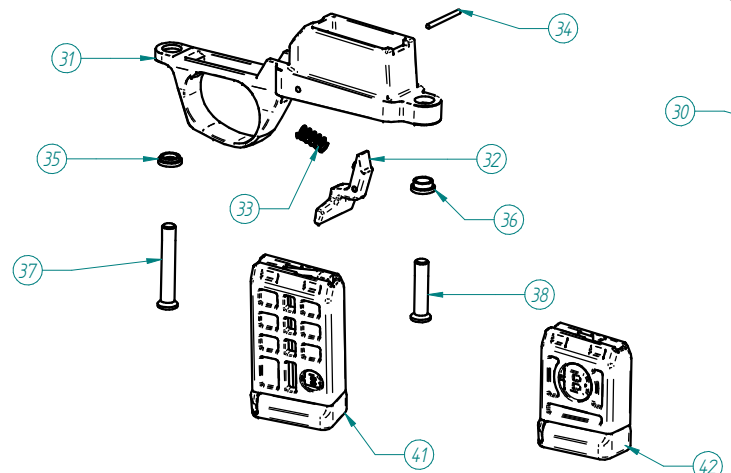


## BERGARA

#	DESCRIPTION	BOM ITEM	BOM DESCRIPTION	ROW		
				.22 LR	17 HMR	22 WMR
				BMR001	BR152-22LR	
				BMR005	BR153-17HMR	
				BMR003	BR153-22W	
				USA		
1	RECEIVER	RMEBMR01RC	33002-REC MEC BMR RH CAR	X	X	X
2	BARREL	TUBBM001 TUBBM003 TUBBM005	40216-BMR-D16.6-22LR-P1:16E6L18R1/2x28 40170-BMR-D16.6-17HMR-P1:09E6L20R1/2x28 40170-BMR-D16.6-22WRM-P1:16E6L20R1/2x28	X	X	X
3	THREAD CAP	33063	CUBRE ROSCAS	X	X	X
4	RAIL	33032D	RAIL BMR - 30MOA	X		
5	RAIL SCREW	33034	TORNILLO #6-48 L=5,1	X		
6	BARREL SPACER	33031C	ARANDELA DE AJUSTE	X		
7	BOLT HEAD	CMEBMR01RC CMEBMR01RC	33003-BOLT MEC BMR RH CARBONO 33003M-BOLT MEC BMR RH CARBONO MAGNUM	X	X	X
8	MAGAZINE STOP	33020	GUIA BOLT	X	X	X
9	MAGAZINE STOP WASHER	33021	ARANDELA MUELLE A 6 DIN 7980	X	X	X
10	MAGAZINE STOP SCREW	33022	TORNILLO M6x8 DIN 912	X	X	X
11	BOLT RELEASE PIN	33033	PASADOR Ø2x16 DIN 6325	X	X	X
12	BOLT RELEASE SPRING	32968	MUELLE PERCUTOR DELANTERO	X	X	X
13	BOLT RELEASE	33019	TOPE CERROJO	X	X	X
14	EXTRACTOR DETENTS	33015	PASADOR EXTRACTOR	X	X	X
15	RIGHT EXTRACTOR	33013	EXTRACTOR DERECHO B22	X	X	X
16	LEFT EXTRACTOR	33012	EXTRACTOR IZQUIERDO B22	X	X	X
17	EXTRACTOR SPRING	33014	MUELLE EXTRACTOR	X	X	X
18	BOLT HEAD SPACER	33016C	ARANDELA DE AJUSTE	X	X	X
19	BOLT BODY	33004	PALANCA B22	X	X	X
20	STRIKER SPRING	33011	MUELLE PERCUTOR DELANTERO	X	X	X
21	STRIKER	33010	PERCUTOR DELANTERO B22	X	X	X
22	FIRING PIN	33007	PERCUTOR TRASERO B22	X	X	X
23	FIRING PIN SPRING	33008	MUELLE PERCUTOR TRASERO	X	X	X
24	FIRING SPRING CUP	33009	CORREDERA B22	X	X	X
25	COCKING PIECE	33006B	COCKING B22	X	X	X
26	BOLT SHROUD	33005	CAPUCHON B22	X	X	X
27	TRIGGER	32800	BERGARA TRIGGER	X	X	X
28	BOLT HANDLE KNOB	33056	POMO B22	X	X	X
29	STOCK	33030S	B22 STOCK (H-227 TAC GREY+ BLACK )	X	X	X
30	SLINS STUD	29116	BACK SCREW	X	X	X
31	TRIGGER GUARD	33024	GUARDAMONTE B22	X	X	X
32	MAGAZINE LATCH	33025	PLASTIC LEVER B22	X	X	X
33	MAGAZINE LATCH SPRING	32496	SPRING FOR MAGAZINE LEVER	X	X	X
34	MAGAZINE LATCH PIN	32529	PASADOR Ø2x24 DIN 7	X	X	X
35	REAR ACTION SCREW SHIM	33055	CASQUILLO TRASERO	X	X	X
36	FRONT ACTION SCREW SHIM	33036	CASQUILLO DELANTERO	X	X	X
37	REAR ACTION SCREW	31422	TORNILLO ALLEN TRASERO CL12	X	X	X
38	FRONT ACTION SCREW	31422B	TORNILLO ALLEN DELANTERO CL12	X	X	X
39	RECOIL PAD	32315	CANTONERA OBLICUA - 2	X	X	X
40	RECOIL PAD SCREW	32327	TIRAFONDO. CAB. AVELL...PVC 4x30	X	X	X
41	10 ROUND MAGAZINE	33029L 33029ML	MAGAZINE BMR 22LR - 10 ROUND MAGAZINE BMR 22WMR-17HMR - 10 ROUND	X	X	X
42	5 ROUND MAGAZINE	33029 33029M	MAGAZINE BMR 22LR - 5 ROUND MAGAZINE BMR 22WMR-17HMR - 5 ROUND	X	X	X



## RIMFIRE BMR STEEL

