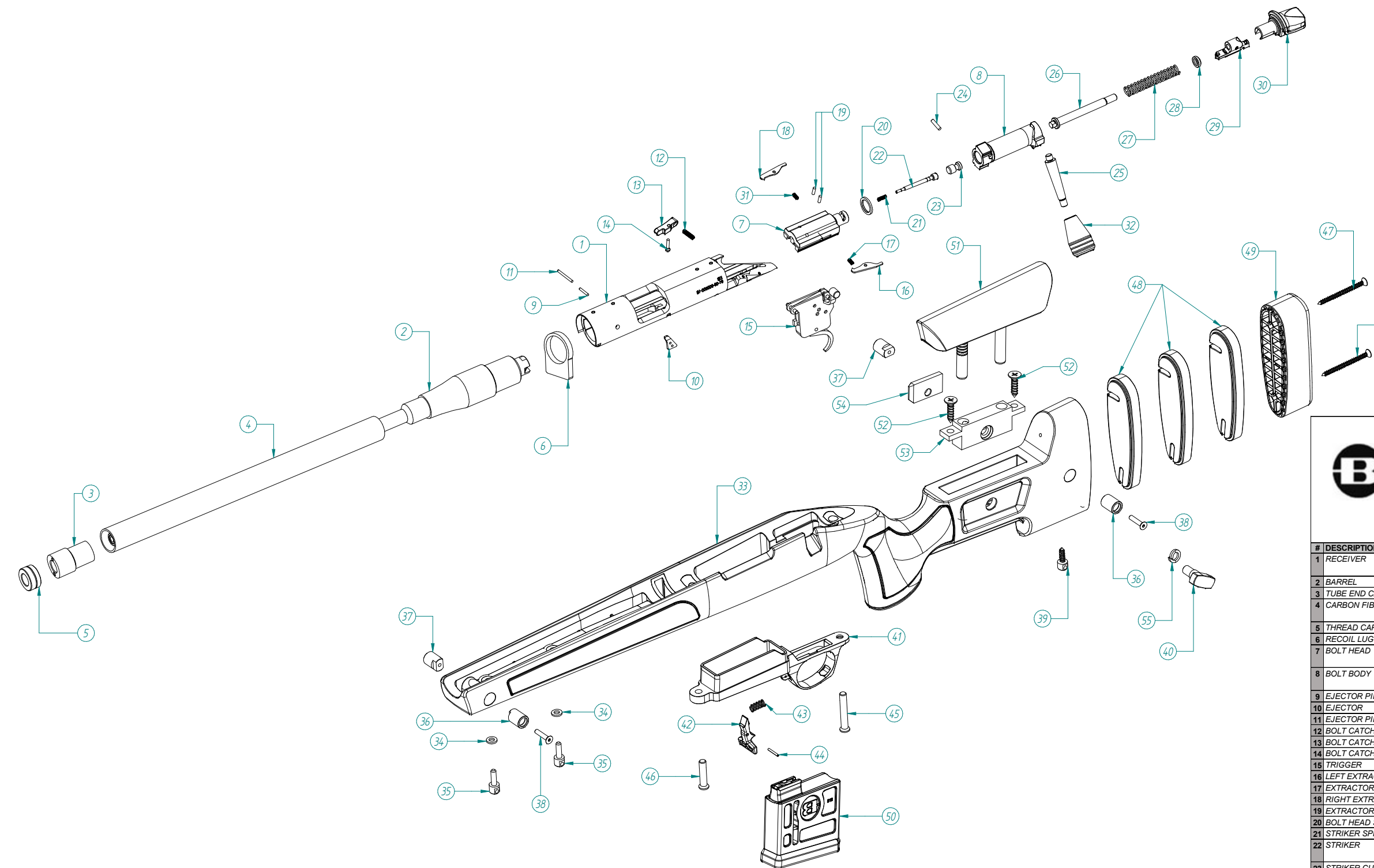


	B14R002	B14R006	USA
#	22 LR	17 HMR	22 WMR
	BRI42-22LR	BRI33-17HMR	BRI43-22W
			ROW

#	DESCRIPTION	BOM ITEM	BOM DESCRIPTION	22 LR	17 HMR	22 WMR
1	RECEIVER	RMEB14R01RC RMEB14RM01RC	32960-REC MEC B14R RH CAR 32960M- REC MEC B14R REH CAR MAGNUM	X	X	X
2	BARREL	TUB14R003C TUB14R004C TUB14R006C	40174-B14R-D12,7-22LRP1:16E6L18R1/2 40223-B14TRA-D12,7-17HMRP1:9E6L20R1/2 40223-B14TRA-D12,7-22WMRP1:16E6L20R1/2	X	X	X
3	TUBE END CAP	33185	TUBE END CAP 1/2-28 THREAD	X	X	X
4	CARBON FIBER TUBE	32897 33066	CARBON FIBER TUBE L=317,5 D=23,2 d=20 TUBO FIBRA DE CARBONO L=368,3 D=23,2 d=20	X	X	X
5	THREAD CAP	32898	THREAD CAP 1/2-28 UNEF Ø23,2 BLUED	X	X	X
6	RECOIL LUG	32672C	RECOIL LUG	X	X	X
7	BOLT HEAD	CMEB14R01RC CMEB14RM01RC	32961-BOLT DELANTERO MEC B14R RH CAR 32961M-BOLT DELANTERO MEC B14R RH CAR MAGNUM	X	X	X
8	BOLT BODY	CMEB14R02RC CMEB14RM02RC	32962-BOLT TRASERO MEC B14R RH CAR 32962M-BOLT TRASERO MEC B14R RH CAR MAGNUM	X	X	X
9	EJECTOR PIN BOTTOM	33000	PASADOR Ø2x14 DIN6325	X	X	X
10	EJECTOR	32969	EYECTOR B14 TRAINER	X	X	X
11	EJECTOR PIN TOP	33001	PASADOR Ø2x24 DIN6325	X	X	X
12	BOLT CATCH SPRING	31585	MUELLE DE TOPE DE BOLT	X	X	X
13	BOLT CATCH LEVER	31411	TOPE ESCAMOTEABLE B14	X	X	X
14	BOLT CATCH SCREW	31428	PASADOR TOPE	X	X	X
15	TRIGGER	32800	BERGARA TRIGGER	X	X	X
16	RIGHT EXTRACTOR	32971	EXTRACTOR PRIMARIO	X	X	X
17	EXTRACTOR SPRING	32974B	MUELLE EXTRACTOR	X	X	X
18	LEFT EXTRACTOR	32972	EXTRACTOR SECUNDARIO	X	X	X
19	EXTRACTOR PIN	32980C	PASADOR Ø2,6ø DIN7343	X	X	X
20	BOLT HEAD SPACER	32988C	ARANDELA DE AJUSTE 1,6	X	X	X
21	STRIKER SPRING	32968	MUELLE PERCUTOR DELANTERO	X	X	X
22	STRIKER	32967 32967M	PERCUTOR DELANTERO PERCUTOR DELANTERO MAGNUM	X	X	X
23	STRIKER CUP	32970	PERCUTOR CENTRAL	X	X	X
24	STRIKER RETAIN PIN	32982B	PASADOR Ø3x12 DIN7343	X	X	X
25	BOLT HANDLE	33122	B14 LEFT PALANCA	X	X	X
26	FIRING PIN	32965 32965M	PERCUTOR TRASERO PERCUTOR TRASERO MAGNUM	X	X	X
27	FIRING PIN SPRING	32966B 32966M	MUELLE PERCUTOR TRASERO MUELLE PERCUTOR TRASERO MAGNUM	X	X	X
28	FIRING SPRING CUP	32964	CORREDERA B14 TRAINER	X	X	X
29	COCKING PIECE	31432D	COCKING PIECE DISP REM	X	X	X
30	BOLT SHROUD	32963B 32963M	CAPUCHON B14 TRAINER CAPUCHON B14R MAGNUM	X	X	X
31	LEFT EXTRACTOR SPRING	33018	MUELLE BLOQUEO PALANCA	X	X	X
32	BOLT KNOB	32506	KNOB	X	X	X
33	STOCK	32467P	HMR SHORT STOCK (BLACK- GREY DOTS)	X	X	X
34	PLASTIC WASHER	32576	ARANDELA DE NYLON NEGRO 5,3	X	X	X
35	FRONT SLING SWIVEL	32497	SWIVEL STUD - UN	X	X	X
36	RIGHT SLING SWIVEL	32475	FLUSH CUP - THREADED	X	X	X
37	LEFT SLING SWIVEL	32474	FLUSH CUP - RIVETED	X	X	X
38	SLING SWIVEL SCREW	32476	FLUSH CUP SCREW - FRONT	X	X	X
39	REAR SLING SWIVEL	29116	BACK SCREW	X	X	X
40	CHECK PIECE REGULATION SCREW	32484	KNOB FOR CHEEK PIECE	X	X	X
41	TRIGGER GUARD	32493	TRIGGER GUARD	X	X	X
42	LEVER	32494	LEVER	X	X	X
43	LEVER SPRING	32496	SPRING FOR MAGAZINE LEVER	X	X	X
44	LEVER PIN	29957	PASADOR ESPIRAL DE 2 x 14 DIN 7343	X	X	X
45	STOCK REAR SCREW	31422	TORNILLO ALLEN TRASERO CL12	X	X	X
46	STOCK FRONT SCREW	31422B	TORNILLO ALLEN DELANTERO CL12	X	X	X
47	RECOIL PAD SCREW	32489	SCREW FOR RECOIL PAD	X	X	X
48	RECOIL PAD SPACER	32490	SPACER FOR RECOIL PAD	X	X	X
49	RECOIL PAD	33339	RECOIL PAD	X	X	X
50	MAGAZINE	32986 32986M	CARGADOR B14-22 CARGADOR B14-22 MAG	X	X	X
51	CHECK PIECE	32465P	CHEEK PIECE - KNOB VERSION (BLACK + GREY DOTS)	X	X	X
52	SUPPORT SCREW	32469	SCREW FOR CHECK PIECE GUIDE	X	X	X
53	SUPPORT FOR THE GUIDE	32510	FRONT BASE	X	X	X
54	CHECK PIECE REGULATION NUT	32524	NUT	X	X	X
55	FIXING WASHER	33130	ARANDELA DE PRESION 8 DIN 7980 (GROWER)	X	X	X

RIMFIRE B14-R TRAINER CARBON





			BR142-22LRZ			BR143-17HMRZ			BR143-22WVZ			ROW
#	DESCRIPTION	BOM ITEM	BOM DESCRIPTION	22 LR	17 HMR	22 WMR	USA	ROW	USA	ROW	ROW	
1	RECEIVER	RMEB14R01LC RMEB14RM01LC	32960L-REC MEC B14R LH CAR 32960ML- REC MEC B14R LH CAR MAGNUM	X	X	X						
2	BARREL	TUB14R003C	40174-B14R-D12,7-22LRP1:16E6L18R1/2	X	X	X						
3	TUBE END CAP	33185	TUBE END CAP 1/2-28 THREAD	X	X	X						
4	CARBON FIBER TUBE	32897 33066	CARBON FIBER TUBE L=317,5 D=23,2 d=20 TUBO FIBRA DE CARBONO L=368,3 D=23,2 d=20	X	X	X						
5	THREAD CAP	32898	THREAD CAP 1/2-28 UNEF Ø23,2 BLUED	X	X	X						
6	RECOIL LUG	32672C	RECOIL LUG	X	X	X						
7	BOLT HEAD	CMEB14R01LC	32961L-BOLT DELANTERO MEC B14R LH CAR	X	X	X						
8	BOLT BODY	CMEB14RM01LC CMEB14R02LC CMEB14RM02LC	32961ML-BOLT DELANTERO MEC B14R LH CAR MAGNUM 32962L-BOLT TRASERO MEC B14R LH CAR 32962ML-BOLT TRASERO MEC B14R LH CAR MAGNUM	X	X	X						
9	EJECTOR PIN BOTTOM	33000	PASADOR Ø2X14 DIN6325	X	X	X						
10	EJECTOR	32969	EYECTOR B14 TRAINER	X	X	X						
11	EJECTOR PIN TOP	33001	PASADOR Ø2x24 DIN6325	X	X	X						
12	BOLT CATCH SPRING	31585	MUELLE DE TOPE DE BOLT	X	X	X						
13	BOLT CATCH LEVER	31411	TOPE ESCAMOTEABLE B14	X	X	X						
14	BOLT CATCH SCREW	31428	PASADOR TOPE	X	X	X						
15	TRIGGER	32800L	BERGARA TRIGGER - LEFT HANDED	X	X	X						
16	LEFT EXTRACTOR	32971	EXTRACTOR PRIMARIO	X	X	X						
17	EXTRACTOR SPRING	32974B	MUELLE EXTRACTOR	X	X	X						
18	RIGHT EXTRACTOR	32972	EXTRACTOR SECUNDARIO	X	X	X						
19	EXTRACTOR PIN	32980C	PASADOR Ø2,5x8 DIN7343	X	X	X						
20	BOLT HEAD SPACER	32988C	ARANDELA DE AJUSTE 1,6	X	X	X						
21	STRIKER SPRING	32968	MUELLE PERCUTOR DELANTERO	X	X	X						
22	STRIKER	32967 32967M	PERCUTOR DELANTERO PERCUTOR DELANTERO MAGNUM	X	X	X						
23	STRIKER CUP	32970	PERCUTOR CENTRAL	X	X	X						
24	STRIKER RETAIN PIN	32982B	PASADOR Ø3x12 DIN7343	X	X	X						
25	BOLT HANDLE	33122	B14 LEFT PALANCA	X	X	X						
26	FIRING PIN	32965 32965M	PERCUTOR TRASERO PERCUTOR TRASERO MAGNUM	X	X	X						
27	FIRING PIN SPRING	32966B 32966M	MUELLE PERCUTOR TRASERO MUELLE PERCUTOR TRASERO MAGNUM	X	X	X						
28	FIRING SPRING CUP	32964	CORREDERA B14 TRAINER	X	X	X						
29	COCKING PIECE	31432D	COCKING PIECE DISP REM	X	X	X						
30	BOLT SHROUD	32963B 32963M	CAPUCHON B14 TRAINER CAPUCHON B14R MAGNUM	X	X	X						
31	RIGHT EXTRACTOR SPRING	33018	MUELLE BLOQUEO PALANCA	X	X	X						
32	BOLT KNOB	32506	KNOB	X	X	X						
33	STOCK	33107P	HMR SHORT LEFT-HAND STOCK (BLACK+ H-227 TAC DOTS)	X	X	X						
34	PLASTIC WASHER	32576	ARANDELA DE NYLON NEGRO 5,3	X	X	X						
35	FRONT SLING SWIVEL	32497	SWIVEL STUD - UN	X	X	X						
36	RIGHT SLING SWIVEL	32475	FLUSH CUP - THREADED	X	X	X						
37	LEFT SLING SWIVEL	32474	FLUSH CUP - RIVETED	X	X	X						
38	SLING SWIVEL SCREW	32476	FLUSH CUP SCREW - FRONT	X	X	X						
39	REAR SLING SWIVEL	29116	BACK SCREW	X	X	X						
40	CHECK PIECE REGULATION SCREW	32484	KNOB FOR CHEEK PIECE	X	X	X						
41	TRIGGER GUARD	32493	TRIGGER GUARD	X	X	X						
42	LEVER	32494	LEVER	X	X	X						
43	LEVER SPRING	32496	SPRING FOR MAGAZINE LEVER	X	X	X						
44	LEVER PIN	29957	PASADOR ESPIRAL DE 2 x 14 DIN 7343	X	X	X						
45	STOCK REAR SCREW	31422	TORNILLO ALLEN TRASERO CL12	X	X	X						
46	STOCK FRONT SCREW	31422B	TORNILLO ALLEN DELANTERO CL12	X	X	X						
47	RECOIL PAD SCREW	32489	SCREW FOR RECOIL PAD	X	X	X						
48	RECOIL PAD SPACER	32490	SPACER FOR RECOIL PAD	X	X	X						
49	RECOIL PAD	33339	RECOIL PAD	X	X	X						
50	MAGAZINE	32986 32986M	CARGADOR B14-22 CARGADOR B14-22 MAG	X	X	X						
51	CHECK PIECE	32465P	CHEEK PIECE - KNOB VERSION (BLACK + GREY DOTS)	X	X	X						
52	SUPPORT SCREW	32469	SCREW FOR CHECK PIECE GUIDE	X	X	X						
53	SUPPORT FOR THE GUIDE	32510	FRONT BASE	X	X	X						
54	CHECK PIECE REGULATION NUT	32524	NUT	X	X	X						
55	FIXING WASHER	33130	ARANDELA DE PRESION 8 DIN 7980 (GROWER)	X	X	X						

RIMFIRE B14-R TRAINER CARBON LEFT



Documento de soporte. En caso de duda o discrepancia consultar la última actualización del Listado de Materiales en la ERP (Libra).

Rev	0
Fecha	19/01/2023