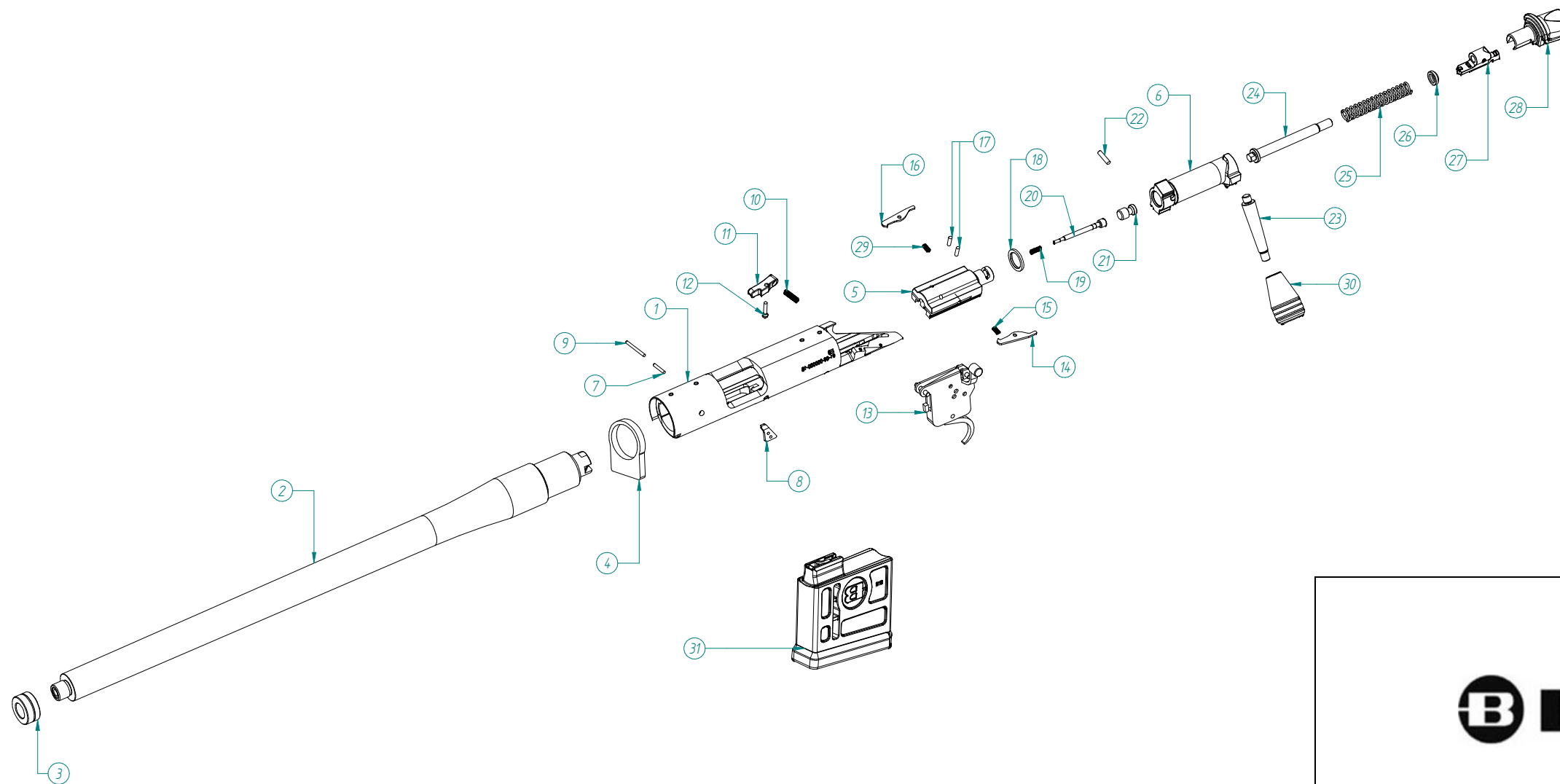


				B14RBA001		BRA172S-22LR	
				USA		ROW	
#	DESCRIPTION	BOM ITEM	BOM DESCRIPTION	.22 LR	.22 LR		
1	RECEIVER	RMEB14R01RC	32960-REC MEC B14R RH CAR	X	X		
2	BARREL	TUB14R001C	40148-B14R-D21.6-22LR-P1:16E6L18R1/2	X			
		TUB14R021S	XXXXX-B14R-D23.6-22LR-P1:16E6L20R1/2 SS		X		
3	THREAD CAP	32733	THREAD CAP 1/2-28 UNEF Ø22 BLUED	X			
		33539	CUBRE ROSCAS D23,6 1/2-28 UNEF		X		
4	RECOIL LUG	32672C	RECOIL LUG	X	X		
5	BOLT HEAD	CMEB14R01RC	32961-BOLT DELANTERO MEC B14R RH CAR	X	X		
6	BOLT BODY	CMEB14R02RC	32962-BOLT TRASERO MEC B14R RH CAR	X	X		
7	EJECTOR PIN BOTTOM	33000	PASADOR Ø2X14 DIN6325	X	X		
8	EJECTOR	32969	EYECTOR B14 TRAINER	X	X		
9	EJECTOR PIN TOP	33001	PASADOR Ø2x24 DIN6325	X	X		
10	BOLT CATCH SPRING	31585	MUELLE DE TOPE DE BOLT	X	X		
11	BOLT CATCH LEVER	31411	TOPE ESCAMOTEABLE B14	X	X		
12	BOLT CATCH SCREW	31428	PASADOR TOPE	X	X		
13	TRIGGER	32800	BERGARA TRIGGER	X	X		
14	RIGHT EXTRACTOR	32971	EXTRACTOR PRIMARIO	X	X		
15	EXTRACTOR SPRING	32974B	MUELLE EXTRACTOR	X	X		
16	LEFT EXTRACTOR	32972	EXTRACTOR SECUNDARIO	X	X		
17	EXTRACTOR PIN	32980C	PASADOR Ø2,5x6 DIN7343	X	X		
18	BOLT HEAD SPACER	32988C	ARANDELA DE AJUSTE 1,6	X	X		
19	STRIKER SPRING	32968	MUELLE PERCUTOR DELANTERO	X	X		
20	STRIKER	32967	PERCUTOR DELANTERO	X	X		
21	STRIKER CUP	32970	PERCUTOR CENTRAL	X	X		
22	STRIKER RETAIN PIN	32982B	PASADOR Ø3x12 DIN7343	X	X		
23	BOLT HANDLE	33122	B14 LEFT PALANCA	X	X		
24	FIRING PIN	32965	PERCUTOR TRASERO	X	X		
25	FIRING PIN SPRING	32966B	MUELLE PERCUTOR TRASERO	X	X		
26	FIRING SPRING CUP	32964	CORREDERA B14 TRAINER	X	X		
27	COCKING PIECE	31432D	COCKING PIECE DISP REM	X	X		
28	BOLT SHROUD	32963B	CAPUCHON B14 TRAINER	X	X		
29	LEFT EXTRACTOR SPRING	33018	MUELLE BLOQUEO PALANCA	X	X		
30	BOLT KNOB	32506	KNOB	X	X		
31	MAGAZINE	32986	CARGADOR B14-22	X	X		

RIMFIRE B14-R TRAINER SHOOTING BARRELED ACTION





RIMFIRE B14-R TRAINER LEFT SHOOTING BARRELED ACTION



B BERGARA

#	DESCRIPTION	BOM ITEM	BOM DESCRIPTION	B14RBA001L		ROW
				.22 LR	.22 LR	
1	RECEIVER	RMEB14R01LC	32960L-REC MEC B14R LH CAR	X		USA
2	BARREL	TUB14R001C TUB14R021S	40148-B14R-D21.6-22LR-P1:16E6L18R1/2 XXXXX-B14R-D23.6-22LR-P1:16E6L20R1/2 SS	X	X	USA
3	THREAD CAP	32733 33539	THREAD CAP 1/2-28 UNEF Ø22 BLUED CUBRE ROSCAS D23.6 1/2-28 UNEF	X	X	USA
4	RECOIL LUG	32672C	RECOIL LUG	X	X	USA
5	BOLT HEAD	CMEB14R01LC	32961L-BOLT DELANTERO MEC B14R LH CAR	X	X	USA
6	BOLT BODY	CMEB14R02LC	32962L-BOLT TRASERO MEC B14R LH CAR	X	X	USA
7	EJECTOR PIN BOTTOM	33000	PASADOR Ø2X14 DIN6325	X	X	USA
8	EJECTOR	32969	EYECTOR B14 TRAINER	X	X	USA
9	EJECTOR PIN TOP	33001	PASADOR Ø2X24 DIN6325	X	X	USA
10	BOLT CATCH SPRING	31585	MUELLE DE TOPE DE BOLT	X	X	USA
11	BOLT CATCH LEVER	31411	TOPE ESCAMOTEABLE B14	X	X	USA
12	BOLT CATCH SCREW	31428	PASADOR TOPE	X	X	USA
13	TRIGGER	32800L	BERGARA TRIGGER - LEFT HANDED	X	X	USA
14	RIGHT EXTRACTOR	32971	EXTRACTOR PRIMARIO	X	X	USA
15	EXTRACTOR SPRING	32974B	MUELLE EXTRACTOR	X	X	USA
16	LEFT EXTRACTOR	32972	EXTRACTOR SECUNDARIO	X	X	USA
17	EXTRACTOR PIN	32980C	PASADOR Ø2.5x6 DIN7343	X	X	USA
18	BOLT HEAD SPACER	32988C	ARANDELA DE AJUSTE 1,6	X	X	USA
19	STRIKER SPRING	32968	MUELLE PERCUTOR DELANTERO	X	X	USA
20	STRIKER	32967	PERCUTOR DELANTERO	X	X	USA
21	STRIKER CUP	32970	PERCUTOR CENTRAL	X	X	USA
22	STRIKER RETAIN PIN	32982B	PASADOR Ø3x12 DIN7343	X	X	USA
23	BOLT HANDLE	33122	B14 LEFT PALANCA	X	X	USA
24	FIRING PIN	32965	PERCUTOR TRASERO	X	X	USA
25	FIRING PIN SPRING	32966B	MUELLE PERCUTOR TRASERO	X	X	USA
26	FIRING SPRING CUP	32964	CORREDERA B14 TRAINER	X	X	USA
27	COCKING PIECE	33121D	B14 LEFT COCKING PIECE	X	X	USA
28	BOLT SHROUD	32963B	CAPUCHON B14 TRAINER	X	X	USA
29	RIGHT EXTRACTOR SPRING	33018	MUELLE BLOQUEO PALANCA	X	X	USA
30	BOLT KNOB	32506	KNOB	X	X	USA
31	MAGAZINE	32986	CARGADOR B14-22	X	X	USA