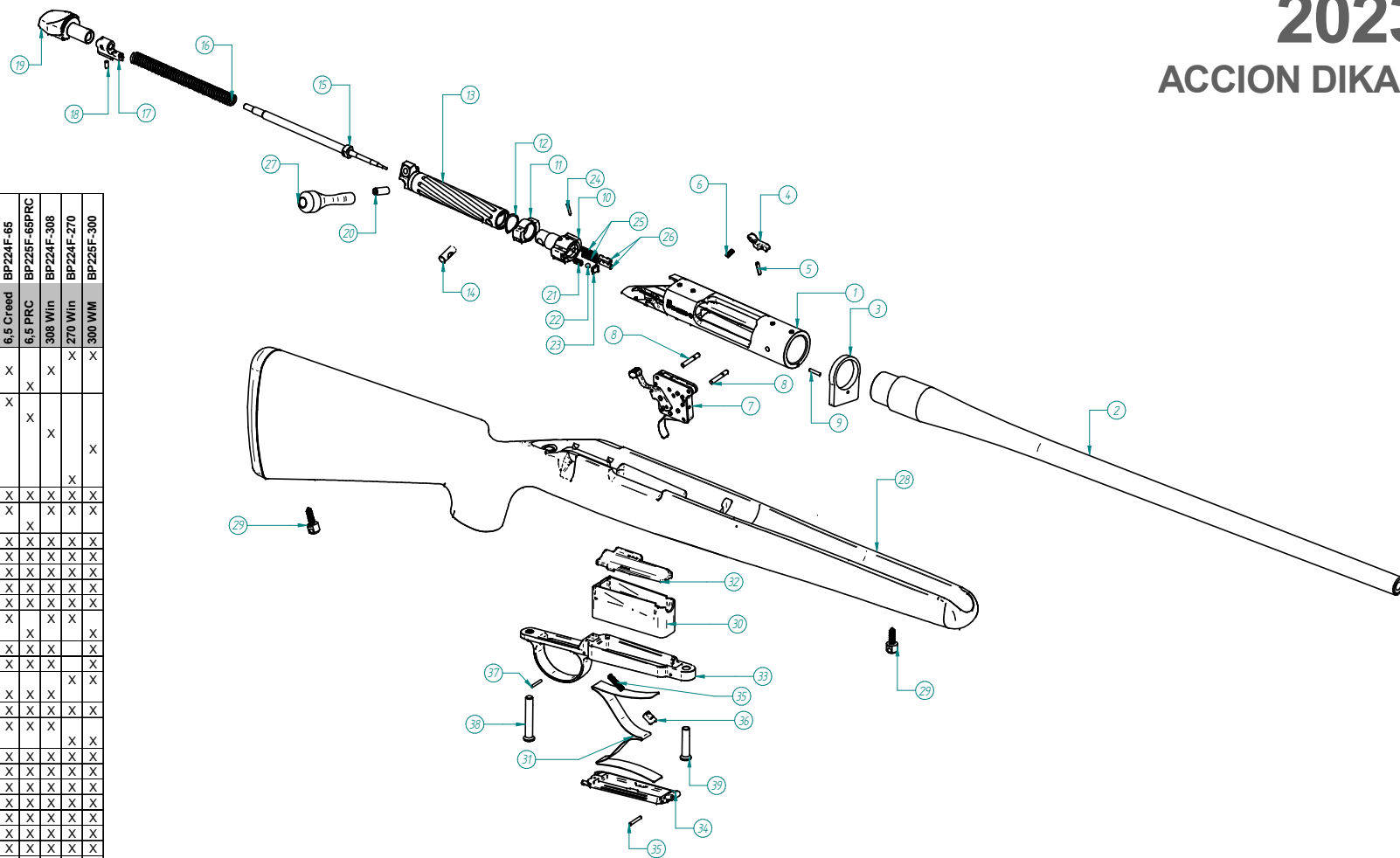
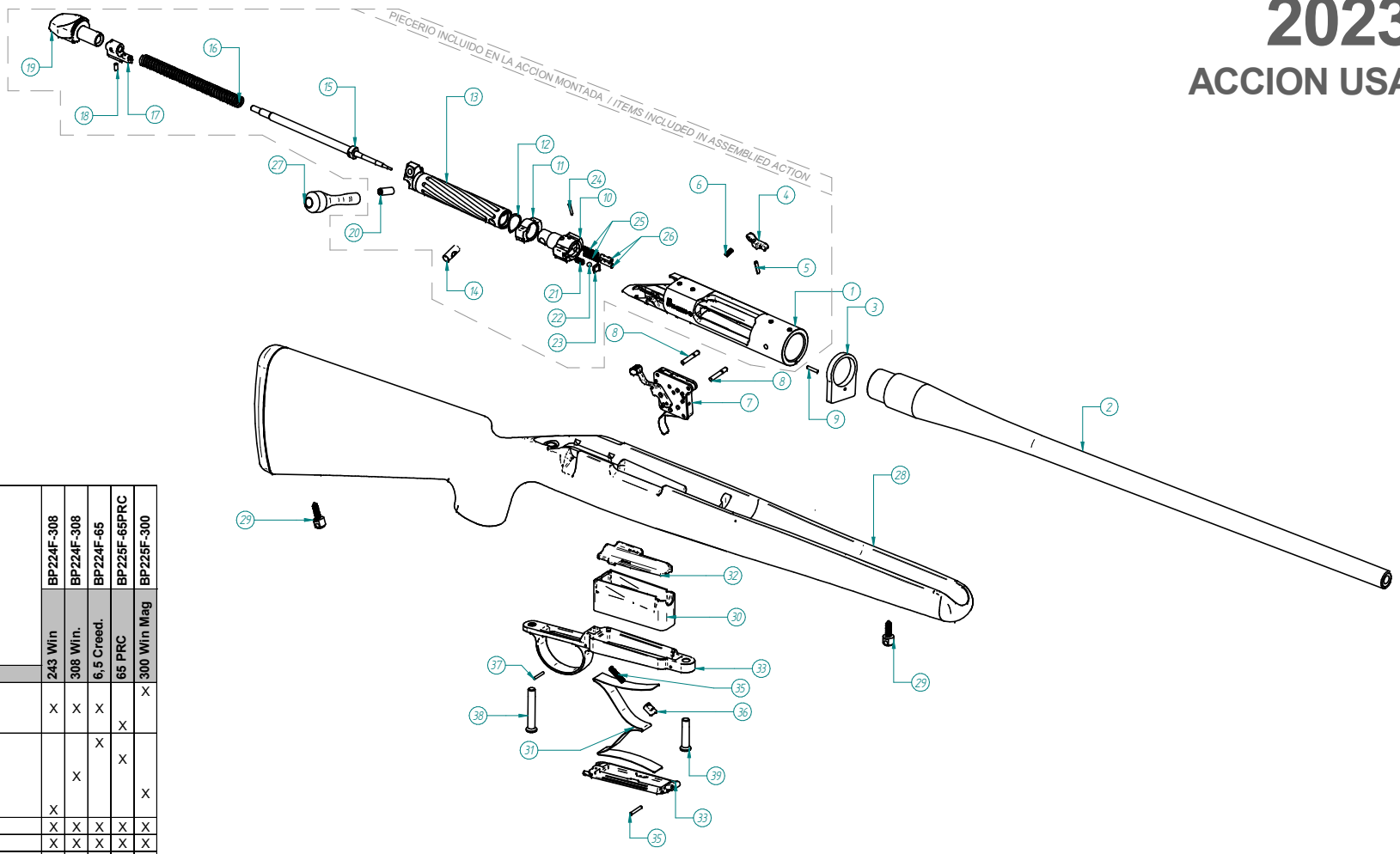


<b>B BERGARA</b>		BP224F-243	BP224F-65	BP228F-65PRC	BP224F-308	BP224F-270	BP228F-300
		243 Win	6.5 Creed	6.5 PRC	308 Win	270 Win	300 WM
* CERAKOTE: BARREL ACTION // ** CERAKOTE BOLT HANDLE							
BOM ITEM	DESCRIPTION						
1	RMEPMLA01RS 33264L-REC MEC PREMIER LONG RH INOX RMEPMSA01RS 33264-REC MEC PREMIER SHORT RH INOX RMEPMSA02RS 33264R-REC MEC PREMIER SHORT PRC RH INOX	X	X	X	X	X	X
2	TUBPM101S 40247-S-MOUNTAIN_13.4_13.4_6,5CRP1.8E6L22 TUBPM103S 40240-S-MOUNTAIN_13.4_65PRC_P1:8E6L24 TUBPM104S 40247-S-MOUNTAIN_13.4_308Win_P1:10E6L22 TUBPM107S 40240-LM-MOUNTAIN_13.4_300WM_P1:10E6L24 TUBPM109S 40247-S-MOUNTAIN_13.4_13.4_243WinP1:10E6L22 TUBPM110S 40247-L-MOUNTAIN_13.4_270Win_P1:10E6L22	X	X	X	X		X
3	33281C PREMIER RECOIL LUG	X	X	X	X	X	X
4	33268 PREMIER BOLT STOP 33268P PREMIER PRC BOLT STOP	X	X	X	X	X	X
5	33279 PASADOR Ø2.5x12 DIN7343	X	X	X	X	X	X
6	33280 PREMIER BOLT STOP SPRING	X	X	X	X	X	X
7	33198 R70-SBS-14-TNC TRIGGERTECH CURVED PRIMARY	X	X	X	X	X	X
8	33278 PREMIER PIN	X	X	X	X	X	X
9	33276 PREMIER RECOIL LUG PIN	X	X	X	X	X	X
10	CMEPM01RC 33266-BOLT HEAD STANDAR MEC PREMIER RH CAR CMEPM01RC 33266M-BOLT HEAD MAGNUM MEC PREMIER RH CAR	X	X	X	X	X	X
11	33272 PREMIER GAS SHIELD	X	X	X	X		X
12	33271 PREMIER GAS SHIELD WASHER	X	X	X	X		X
13	CMEPML01RSF 33265L-BOLT BODY LONG MEC PREMIER RH INOX FLUTES CMEPMS01RSF 33265-BOLT BODY SHORT MEC PREMIER RH INOX FLUTES	X	X	X	X	X	X
14	33273 PREMIER BOLT CROSS PIN	X	X	X	X	X	X
15	33267 PREMIER SHORT FIRING PIN 33267L PREMIER LONG FIRING PIN	X	X	X	X		X
16	32993 MUELLE PERCUTOR B14	X	X	X	X	X	X
17	33269 PREMIER COCKING PIECE	X	X	X	X	X	X
18	33277 VARILLA ROSCADA M3x6 DIN913	X	X	X	X	X	X
19	33270 PREMIER BOLT SHROUD	X	X	X	X	X	X
20	33275 VARILLA ROSCADA M6x16 DIN913 - CALIDAD 12.9	X	X	X	X	X	X
21	32197 EXTRACTOR SPRING	X	X	X	X	X	X
22	32196 BOLA	X	X	X	X	X	X
23	32198 STANDARD EXTRACTOR 32198B MAGNUM EXTRACTOR	X	X	X	X		X
24	31587 PASADOR ESPIRAL DE 2 x 12 DIN 7343	X	X	X	X	X	X
25	31451 EJECTOR SPRING	X	X	X	X	X	X
26	31450 EJECTOR PIN	X	X	X	X	X	X
27	33274 PREMIER BOLT HANDLE - M6	X	X	X	X	X	X
28	BPR-MNT-LA MOUNTAIN RIFLE LA STOCK BPR-MNT-SA MOUNTAIN RIFLE SA STOCK	X	X	X	X		X
29	29116 BACK SCREW	X	X	X	X	X	X
30	31431 CAJA CORTA 33178 CAJERA FLOOR PLATE 6,5 PRC 32113 CAJA LARGA 32113U CAJA ULTRA	X	X	X		X	X
31	31444C MUELLE MAGAZINE CREEDMOOR 31444S MUELLE CAJERA 32933S MUELLE MAGAZINE	X	X	X	X	X	X
32	31427 SEGUIDOR CORTO 32115 SEGUIDOR LARGO 33180 SEGUIDOR 6,5 PRC	X	X	X	X		X
33	32216 B14 SHORT SUPPORT 32216L B14 LONG SUPPORT 32216P B14 SHORT 6,5 PRC SUPPORT	X	X	X	X		X
34	32218 B14 SHORT CAP 32218L B14 LONG CAP	X	X	X	X		X
35	32219 MUELLE FLOOR PLATE	X	X	X	X	X	X
36	32217 PALANCA B14	X	X	X	X	X	X
37	32132B PASADOR Ø2x14 DIN 7	X	X	X	X	X	X
38	31422 TORNILLO ALLEN TRASERO CL12	X	X	X	X	X	X
39	31422B TORNILLO ALLEN DELANTERO CL12	X	X	X	X	X	X
*	H227 CERAKOTE H-227 TACTICAL GREY	X	X	X	X	X	X
**	H146 CERAKOTE H-146 GRAPHITE BLACK (Y958321)	X	X	X	X	X	X



## PREMIER MOUNTAIN 2.0





## PREMIER MOUNTAIN 2.0



		<b>B BERGARA</b>				
		BP224F-308	BP224F-308	BP224F-65	BP225F-65PRC	BP225F-300
		243 Win.	308 Win.	6.5 Creed.	6.5 PRC	300 Win Mag
* CERAKOTE: BARREL ACTION // ** CERAKOTE BOLT HANDLE						
#	BOM ITEM	BOM DESCRIPTION				
1	PPLA2.2					X
	PPSA3.0	X	X	X		
	PPSA2.2PRC				X	
2	TUBPM101S			X		
	TUBPM103S				X	
	TUBPM104S		X			
	TUBPM107S					X
	TUBPM109S	X				
3	32672PC	X	X	X	X	X
7	33198	X	X	X	X	X
8	06022065	X	X	X	X	X
9	03835899	X	X	X	X	X
27	STNDBLTHNDL	X	X	X	X	X
28	BPR-MNT-LA					X
	BPR-MNT-SA	X	X	X	X	
29	29116	X	X	X	X	X
30	31431	X	X	X		
	33178				X	
	32113U					X
31	31444C			X		
	31444S	X	X			X
	32933S				X	
32	31427	X	X	X		
	32115					X
	33180				X	
33	32216	X	X	X		
	32216L					X
	32216P				X	
34	32218	X	X	X	X	
	32218L					X
35	32219	X	X	X	X	X
36	32217	X	X	X	X	X
37	32132B	X	X	X	X	X
38	31422	X	X	X	X	X
39	31422B	X	X	X	X	X
*	H227	X	X	X	X	X
**	H146	X	X	X	X	X