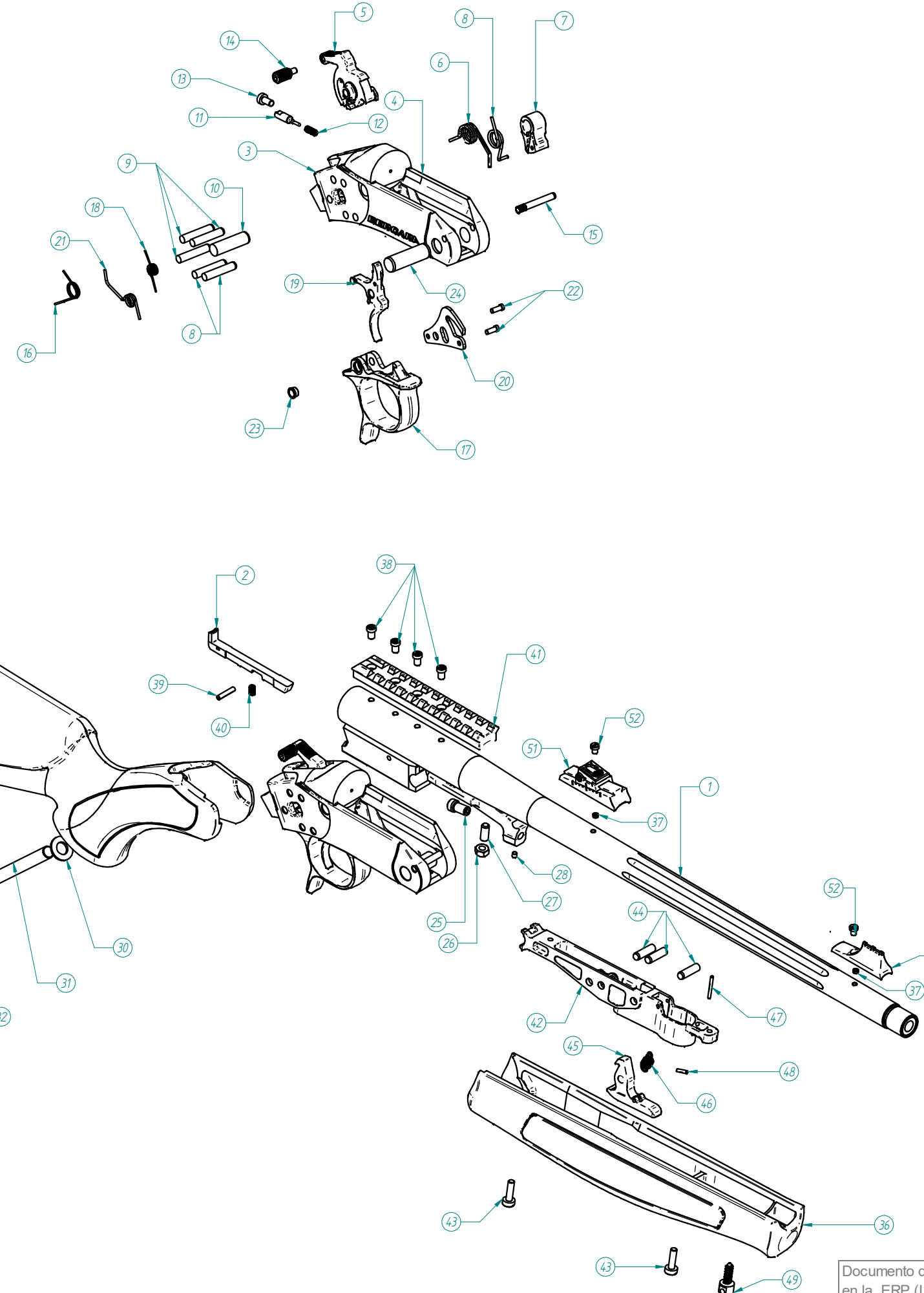


# 2023

## ROW



		243 Win	300 Blackout	300 Blackout	308 Win	308 Win	308 Win	30-06 Spring	8x57 JRS	45-70 Govt
		BA123A-243	BA111-300B	BA112-300B	BA111-308	BA112-308	BA113A-308	BA113A-3006	BA113A-8X5	BA113A-4570
Item	Description									
1 CAÑÓN / BARREL	32194R-STDØ17,2[8x57]RSP19,5E4L20CA]5/8USA TUBTD501CR 32194R-BA13TD-STDØ17,2[222P1:14E6L20C]PAV 5/8EU TUBTD502CR 32194R-BA13TD-STDØ17,2[308P1:12E6L20C]PAV 5/8EU TUBTD503CR 32325R-BA13TD-STDØ19,1[308P1:8E6L16,5CAR]PAV EU TUBTD504CR 32194R-BA13TD-STDØ17,2[243P1:10E6L20C]PAV 5/8EU TUBTD505CR 32325R-BA13TD-STDØ19,1[300AACP1:8E6L16,5C]5/8EU TUBTD506CR 32364R-BA13TD-FULLØ19[45-70P1:20E6L20C]5/8EU TUBTD507CR 32194R-BA13TD-STDØ17,2[30-06P1:10E6L20C]PAV5/8E TUBTD509CR 32194R-BA13TD-STDØ17,2[223P1:8E6L20C]PAV 5/8EU TUBTD510CR 32194R-BA13TD-STDØ17,2[6,5CRP1:8E6L20C]PAV 5/8EU TUBTD515CR 40422-BA13TD-STDØ18,3[300AACP1:8E6L18C]5/8EU TUBTD516CR 40422-BA13TD-STDØ18,3[308P1:8E6L18C]5/8EU	X	X							
2 EXTRACTOR / EXTRACTOR	30198M EXPULSOR DE MIM CAL.45-70 30202M EXPULSOR DE MIM CAL.222 29955M EXPULSOR DE MIM CAL.30-06		X	X						X
3 CUBRE ROSCAS / THREAD PROTECTOR	30582N CUBRE-ROSCAS	X	X	X	X	X	X	X	X	X
4 BASCULA / FRAME	BMETD002C 33162- BASCULA SC V2 TD BERGARA MECANIZADA NEGRA	X	X	X	X	X	X	X	X	X
5 MARTILLO / STRIKING PIECE	30952M STRIKING PIECE - SCOUT 2 M4x0,35	X	X	X	X	X	X	X	X	X
6 MUELLE MARTILLO / STRIKING PIECE SPRING	30965 MUELLE MARTILLO SCOUT 2	X	X	X	X	X	X	X	X	X
7 LEVA DE CIERRE / LOCKING LEVER	32588 LEVER - SCOUT V2	X	X	X	X	X	X	X	X	X
8 MUELLE DE TORSION / TORSION SPRING	30949C MUELLE TORSION FUERTE - SCOUT V2	X	X	X	X	X	X	X	X	X
9 PASADOR D=5 / D=5 PIN	31909 PASADOR - PIN 5x24	X	X	X	X	X	X	X	X	X
10 PASADOR LEVA DE CIERRE / LOCKING LEVER PIN	31905 PASADOR EJE DEL CIERRE	X	X	X	X	X	X	X	X	X
11 PERCUTOR / FIRING PIN	31183 EJE PERC.	X	X	X	X	X	X	X	X	X
12 MUELLE DE PERCUTOR / FIRING PIN SPRING	31198 MUELLE DEL PERCUTOR DEL APEX	X	X	X	X	X	X	X	X	X
13 TORN. RETEN. DE PERCUTOR / FIRING PIN RETAIN SCREW	31182 TORNILLO M4x8 DIN-7984	X	X	X	X	X	X	X	X	X
14 SPUR / HAMMER SPUR	31721 SPUR SCOUT M4x0,35	X	X	X	X	X	X	X	X	X
15 PASADOR TOPE APERTURA / OPENING STOP PIN	31949 PASADOR TOPE SC 2	X	X	X	X	X	X	X	X	X
16 MUELLE RETORNO MARTILLO / HAMMER RETURN SPRING	30982 MUELLE RETORNO SCOUT 2º GEN	X	X	X	X	X	X	X	X	X
17 GUARDAMONTES / TRIGGER GUARD	30948 GUARDAMONTE SCOUT-OPTIMA V2 NEGRO	X	X	X	X	X	X	X	X	X
18 MUELLE GATILLO / TRIGGER SPRING	30944 PULLING PIECES SPRING - SCOUT II	X	X	X	X	X	X	X	X	X
19 GATILLO / TRIGGER	30943 PULLING PIECE SCOUT 2	X	X	X	X	X	X	X	X	X
20 LEVA APERTURA / OPENING LEVER	31455 GARFIO OPTIMA V2	X	X	X	X	X	X	X	X	X
21 MUELLE LEVA APERTURA / OPENING LEVER SPRING	30945 OPENING LEVER SPRING - SCOUT II	X	X	X	X	X	X	X	X	X
22 REMACHE LEVA APERTURA / OPENING LEVEL FIXING PIN	31859 FIXING PIN - SC 2	X	X	X	X	X	X	X	X	X
23 ESPACIADOR / BUSHING	31950 CASQUILLO - BUSHING	X	X	X	X	X	X	X	X	X
24 PASADOR D=10 / D=10 PIN	31907 PASADOR - PIN	X	X	X	X	X	X	X	X	X
25 TOPE REGULADOR / ADJUST SCREW	31873 TOPE ROSCADO	X	X	X	X	X	X	X	X	X
26 TUERCA DE BLOQUEO / BLOCKING NUT	28288 TUERCA M-5 DIN 934	X	X	X	X	X	X	X	X	X
27 VARILAL REGULACION / ADJUST ROD	32163 VARILLA ROSCADA M5x12 DIN 913	X	X	X	X	X	X	X	X	X
28 ESPARRAGO DE BLOQUEO / BLOCKING ROD	31539 ESPARRAGO ALLEN M3x3 DIN 913	X	X	X	X	X	X	X	X	X
29 CULATA / STOCK	30449N CULATA OPTIMA II NEGRO ( PINTADO)	X	X	X	X	X	X	X	X	X
30 ARANDELA UNION CULATA BASCULA / FRAME-STOCK WASHER	W503241 WASHER B 8.4 DIN 125 (BLUED)	X	X	X	X	X	X	X	X	X
31 TORNILLO UNION CULATA-BASCULA / FRAME STOCK BOLT	31908 TORNILLO UNION	X	X	X	X	X	X	X	X	X
32 ESCUDO / GRIP	30743 GRIP CAP BERGARA	X	X	X	X	X	X	X	X	X
33 TORNILLO AMARRE ESCUADO / GRIP CUP SCREW	32258 TORNILLO M4x30 DIN 966	X	X	X	X	X	X	X	X	X
34 CANTONERA / RECOIL PAD	29891B CANTONERA BERGARA - BREAK ACTIONCANTONER	X	X	X	X	X	X	X	X	X
35 TORNILLO AMARRE CANTONERA / RECOIL PAD SCREW	10448 TOR. CAB. AVELL. 3.5x30 DIN 7505A	X	X	X	X	X	X	X	X	X
36 GUARDAMANOS / FOREHAND	32156N GUARDAMANOS SCOUT TAKE DOWN PINTADO NEGR 32156VN GUARDAMANOS SCOUT T.D. PINTADO NEGR F.C.	X	X	X	X	X	X	X	X	X
37 TAPON ROSCADO / SCREW CAP	29256 TAPON ORIFICIO A-M		X							
38 TORNILLO CARRIL / TRACK SCREW	30206.1 TORNILLO BASE MT.	X	X	X	X	X	X	X	X	X
39 PASADOR EXTRACTOR / EXTRACTOR PIN	30209 PASADOR ESPIRAL DE 3 x 14 DIN 7343	X	X	X	X	X	X	X	X	X
40 MUELLE EXTRACTOR / EXTRACTOR SPRING	30238 MUELLE DEL EXTRACTOR	X	X	X	X	X	X	X	X	X
41 CARRIL / TRACK	30632AP BASE PICATINNY D=25.4 PINTADA	X	X	X	X	X	X	X	X	X
42 ESTRUCTURA INTERIOR / INTERNAL STRUCTURE	32146B ESTRUCTURA INTERIOR	X	X	X	X	X	X	X	X	X
43 TORNILLO AMARRE / LOCKING SCREW	32145 TORNILLO M4x16	X	X	X	X	X	X	X	X	X
44 PASADOR DE PALANCA / HAND LEVER SPRING	31552 PASADOR DE PALANCA DE GUARDAMANO	X	X	X	X	X	X	X	X	X
45 PALANCA / HAND LEVER	32155 PALANCA	X	X	X	X	X	X	X	X	X
46 MUELLE DE PALANCA / HAND LEVER SPRING	32152 MUELLE PALANCA	X	X	X	X	X	X	X	X	X
47 PASADOR ELASTICO Ø2x16 / Ø2x16 ELASTIC PIN	32150 PASADOR ELASTICO Ø2x16 DIN7343	X	X	X	X	X	X	X	X	X
48 PASADOR ELASTICO Ø2x8 / Ø2x8 ELASTIC PIN	32151 PASADOR ELASTICO Ø2x8 DIN7343	X	X	X	X	X	X	X	X	X
49 PORTA CORREAS / SWMEL SCREW	29116 BACK SCREW	X	X	X	X	X	X	X	X	X
50 MIRA / REAR SIGHT	30700 FRONT SIGHT SCOUT (MIRA)	X							X	X
51 ALZA / FRONT SIGHT	30701 REAR SIGHT SCOUT (ALZA)	X							X	X
52 TORNILLO ALZA MIRA / SIGHTS SCREW	20549T TORNILLO DE FIJACION A Y M TORX	X							X	X

### BA13 TD STANDARD

