

2023

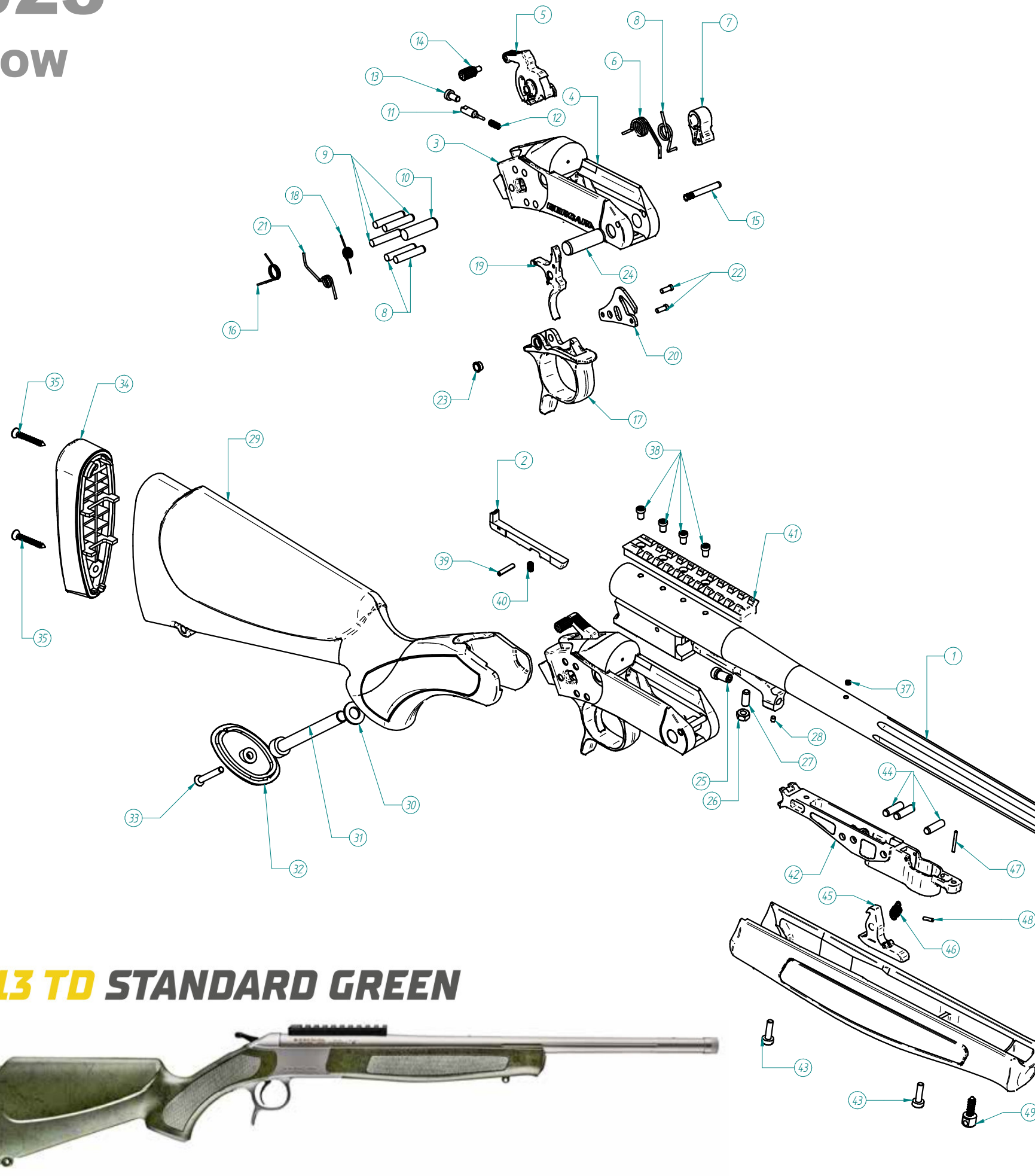
ROW

B BERGARA

BA213-65G

6.5 Creed

308 Win



Item	Description	X	X		
1	CAÑON / BARREL TUBTD510SR TUBTD004SR	32194R-BA13TD-STDØ17,2[6.5CRP1:8E6L20]SS 5/8EU 32194R-BA13TD-STDØ17,2[308P1:12E6L20SS]5/8EU	X	X	
2	EXTRACTOR / EXTRACTOR	29955M	EXPULSOR DE MIM CAL.30-06	X	X
3	CUBRE ROSCAS / THREAD PROTECTOR	30582S	CUBRE-ROSCAS D19 5/8-24 INOX	X	X
4	BASCULA / FRAME	BMETD002S	32162- BASCULA TD BERGARA MECANIZADA GRIS	X	X
5	MARTILLO / STRIKING PIECE	30952M	STRIKING PIECE - SCOUT 2 M4x0,35	X	X
6	MUELLE MARTILLO / STRIKING PIECE SPRING	30965	MUELLE MARTILLO SCOUT 2	X	X
7	LEVA DE CIERRE / LOCKING LEVER	32588	LEVER - SCOUT V2	X	X
8	MUELLE DE TORSION / TORSION SPRING	30949C	MUELLE TORSION FUERTE - SCOUT V2	X	X
9	PASADOR D=5 / D=5 PIN	31909	PASADOR - PIN 5x24	X	X
10	PASADOR LEVA DE CIERRE / LOCKING LEVER PIN	31905	PASADOR EJE DEL CIERRE	X	X
11	PERCUTOR / FIRING PIN	31183	EJE PERC.	X	X
12	MUELLE DE PERCUTOR / FIRING PIN SPRING	31198	MUELLE DEL PERCUTOR DEL APEX	X	X
13	TORN. RETEN. DE PERCUTOR / FIRING PIN RETAIN SCREW	31182	TORNILLO M4x8 DIN-7984	X	X
14	SPUR / HAMMER SPUR	31721	SPUR SCOUT M4x0,35	X	X
15	PASADOR TOPE APERTURA / OPENING STOP PIN	31949	PASADOR TOPE SC 2	X	X
16	MUELLE RETORNO MARTILLO / HAMMER RETURN SPRING	30982	MUELLE RETORNO SCOUT 2º GEN	X	X
17	GUARDAMONTES / TRIGGER GUARD	30948	GUARDAMONTE SCOUT-OPTIMA V2 NEGRO	X	X
18	MUELLE GATILLO / TRIGGER SPRING	30944	PULLING PIECES SPRING - SCOUT II	X	X
19	GATILLO / TRIGGER	30943	PULLING PIECE SCOUT 2	X	X
20	LEVA APERTURA / OPENNING LEVER	31455	GARFIO OPTIMA V2	X	X
21	MUELLE LEVA APERTURA / OPENNING LEVER SPRING	30945	OPENNING LEVER SPRING - SCOUT II	X	X
22	REMACHE LEVA APERTURA / OPENNING LEVEL FIXING PIN	31859	FIXING PIN - SC 2	X	X
23	ESPACIADOR / BUSHING	31950	CASQUILLO - BUSHING	X	X
24	PASADOR D=10 / D=10 PIN	31907	PASADOR - PIN	X	X
25	TOPE REGULADOR / ADJUST SCREW	31873	TOPE ROSCADO	X	X
26	TUERCA DE BLOQUEO / BLOCKING NUT	28288	TUERCA M-5 DIN 934	X	X
27	VARILAL REGULACION / ADJUST ROD	32163	VARILLA ROSCADA M5x12 DIN 913	X	X
28	ESPARRAGO DE BLOQUEO / BLOCKING ROD	31539	ESPARRAGO ALLEN M3x3 DIN 913	X	X
29	CULATA / STOCK	30449GB	CULATA OPTIMA V2 GREEN BASE-BLACK FLECK	X	X
30	ARANDELA UNION CULATA BASCULA / FRAME-STOCK WASHER	W503241	WASHER B 8.4 DIN 125 (BLUED)	X	X
31	TORNILLO UNION CULATA-BASCULA / FRAME STOCK BOLT	31908	TORNILLO UNION	X	X
32	ESCUDO / GRIP	30743	GRIP CAP BERGARA	X	X
33	TORNILLO AMARRE ESCUADO / GRIP CUP SCREW	32258	TORNILLO M4x30 DIN 966	X	X
34	CANTONERA / RECOIL PAD	29891B	CANTONERA BERGARA - BREAK ACTIONCANTONER	X	X
35	TORNILLO AMARRE CANTONERA / RECOIL PAD SCREW	10448	TOR. CAB. AVELL.3.5x30 DIN 7505A	X	X
36	GUARDAMANOS / FOREHAND	32156GB	FOREHAND SCOUT V2 TD GREEN BASE BLACK FLECK	X	X
37	TAPON ROSCADO / SCREW CAP	29256	TAPON ORIFICIO A-M	X	X
38	TORNILLO CARRIL / TRACK SCREW	30206.1	TORNILLO BASE M.T.	X	X
39	PASADOR EXTRACTOR / EXTRACTOR PIN	30209	PASADOR ESPIRAL DE 3 x 14 DIN 7343	X	X
40	MUELLE EXTRACTOR / EXTRACTOR SPRING	30238	MUELLE DEL EXTRACTOR	X	X
41	CARRIL / TRACK	30632AP	BASE PICATINNY D=25.4 PINTADA	X	X
42	ESTRUCTURA INTERIOR / INTERNAL STRUCTURE	32146B	ESTRUCTURA INTERIOR	X	X
43	TORNILLO AMARRE / LOCKING SCREW	32145	TORNILLO M4x16	X	X
44	PASADOR DE PALANCA / HAND LEVER SPRING	31552	PASADOR DE PALANCA DE GUARDAMANO	X	X
45	PALANCA / HAND LEVER	32155	PALANCA	X	X
46	MUELLE DE PALANCA / HAND LEVER SPRING	32152	MUELLE PALANCA	X	X
47	PASADOR ELASTICO Ø2x16 / Ø2x16 ELASTIC PIN	32150	PASADOR ELASTICO Ø2x16 DIN7343	X	X
48	PASADOR ELASTICO Ø2x8 / Ø2x8 ELASTIC PIN	32151	PASADOR ELASTICO Ø2x8 DIN7343	X	X
49	PORTA CORREAS / SWVEL SCREW	29116	BACK SCREW	X	X

BA13 TD STANDARD GREEN

