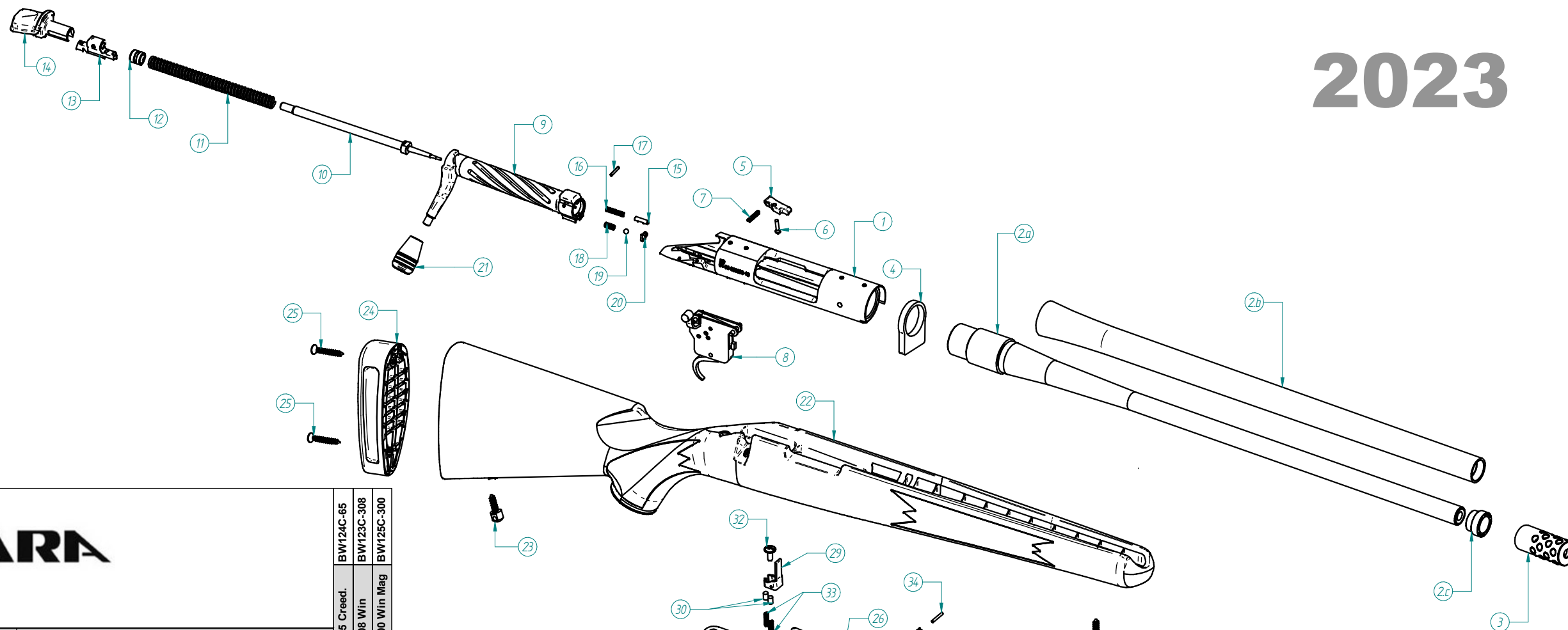


#	DESCRIPTION	BOM ITEM	BOM DESCRIPTION	6.5 Cr 308 Win	B14S22CF BW124CF-65	B14S21CF BW123CF-308	6.5 PRC 300 WM	B14MS19CF BW125CF-65PRC	B14MS11CF BW125CF-300	ROW
1	CARCASA RECEIVER	RMEB14LA01RC RMEB14SA01RC RMEB14SA02RC	32114-REC MEC B14 LONG RH CARBONO 31434-REC MEC B14 SHORT RH CARBONO 33150FP-REC 6,5 PRC MEC B14 SHORT RH CARBONO FP	X	X	X	X	X	X	USA
2.a	CAÑON BARREL	TUB14031FC TUB14301FC TUB14307FC TUB14753FC	40233-SLIP FIT-21,6_6,5CRP1:8E6L22R5/8US FC-SS 40234-SLIP FIT-21,6-308P1:10L20R5/8US FC-SS 40232-SLIP FIT-21,6-65PRC P1:8E6L24R5/8US FC-SS 40232-SLIP FIT-21,6_300WMP1:10E6L24R5/8US FC-SS	X	X	X	X	X	X	
2.b	TUBO FIBRA DE CARBONO FIBER CARBON TUBE	CFT20 CFT22 CFT24	SLIPFIT 20" CARBON FIBER TUBE SLIPFIT 22" CARBON FIBER TUBE SLIPFIT 24" CARBON FIBER TUBE	X	X	X	X	X	X	
2.c	TUERCA TENSORA TENSIONING NUT	10001	SLIPFIT CF TUBE TENSIONING NUT	X	X	X	X	X	X	
3	FRENO DE BOCA MUZZLE BRAKE	33194 33197	30 CAL D 21.3 (.840) MUZZLEBRAKE 5/8 24 UNEF 65 CAL D 21.3 (.840) MUZZLEBRAKE 5/8 24 UNEF	X	X	X	X	X	X	
4	RECOL LUG RECOIL LUG	32672C	RECOIL LUG	X	X	X	X	X	X	
5	PALANCA RETENCION CERROJO BOLT CATCH LEVER	31411 31411P	TOPE ESCAMOTEABLE B14 TOPE ESCAMOTEABLE B14 PRC FLOORPLATE	X	X	X	X	X	X	
6	TORNILLO RETENCION CERROJO BOLT CATCH SCREW	31428	PASADOR TOPE	X	X	X	X	X	X	
7	MUELLE RETENCION CERROJO BOLT CATCH SPRING	31585	MUELLE DE TOPE DE BOLT	X	X	X	X	X	X	
8	DISPARADOR TRIGGER	32800	BERGARA TRIGGER	X	X	X	X	X	X	
9	CUERPO CERROJO BOLT BODY	CMEB14LM01RCF CMEB14SA01RCF CMEB14SM01RCF	33102BF- BOLT MEC B14 LONG MAG RH CARBONO FLUTES 33100F- BOLT MEC B14 SHORT RH CARBONO FLUTES 33100BF-BOLT MAG 6,5PRC MEC B14 SHORT RH CARB FLUT	X	X	X	X	X	X	
10	PERCUTOR FIRING PIN	33101 33103	PERCUTOR B14 CORTO 2018 PERCUTOR B14 LARGO 2018	X	X	X	X	X	X	
11	MUELLE PERCUTOR FIRING PIN SPRING	32993	MUELLE PERCUTOR B14	X	X	X	X	X	X	
12	CASQUILLO DEL PERCUTOR FIRING PIN BUSHING	32994	CORREDERA	X	X	X	X	X	X	
13	ENGANCHE DEL PERCUTOR FIRING PIN LOCK	31432D	COCKING PIECE DISP REM	X	X	X	X	X	X	
14	CUBIERTA DEL PERCUTOR FIRING PIN SHROUD	32995	CAPUCHON MIM	X	X	X	X	X	X	
15	EXPULSOR EJECTOR	31450 31450P	EJECTOR PIN EJECTOR PIN	X	X	X	X	X	X	
16	MUELLE EMPUJE EJECTOR PLUNGER SPRING	31451	EJECTOR SPRING	X	X	X	X	X	X	
17	PASADOR EMPUJE EJECTOR PIN	31587	PASADOR ESPIRAL DE 2 x 12 DIN 7343	X	X	X	X	X	X	
18	MUELLE EXTRACTOR EXTRACTOR SPRING	32197	EXTRACTOR SPRING	X	X	X	X	X	X	
19	BOLA DE EXTRACTOR EXTRACTOR BALL	32196	BOLA	X	X	X	X	X	X	
20	EXTRACTOR EXTRACTOR	32198 32198B	STANDARD EXTRACTOR MAGNUM EXTRACTOR	X	X	X	X	X	X	
21	POMO DEL CERROJO BOLT KNOB	32506	KNOB	X	X	X	X	X	X	
22	CULATA STOCK	32304LRSB 32304PRCB 32304ARB	RIDGE LONG STOCK SLIP FIT WILDERNESS SOFTFT RIDGE SHORT PRC STOCK WILDERNESS SOFT RIDGE SHORT STOCK WILDERNESS SOFT	X	X	X	X	X	X	
23	ROTULA PORTACORREA SLING SWIVEL	29116	BACK SCREW	X	X	X	X	X	X	
24	CANTONERA RECOIL PAD	32315	CANTONERA OBLICUA - 2	X	X	X	X	X	X	
25	TIRAFONDO CANTONERA RECOILD PAD SCREW	32327	TIRAFONDO, CAB. AVELL, PVC 4x30	X	X	X	X	X	X	
26	MUELLE DEL GARGADOR MAGAZINE SPRING	31444C 31444S 32933S	MUELLE MAGAZINE CREEDMOOR MUELLE CAJERA MUELLE MAGAZINE	X	X	X	X	X	X	
27	SEGUIDOR FOLLOWER	32115 33180 33181 33182	SEGUIDOR LARGO SEGUIDOR 6,5 PRC SEGUIDOR 300 PRC SEGUIDOR CORTO	X	X	X	X	X	X	
28	GUARDAMONTE TRIGGER GUARD	32216 32216L 32216P	B14 SHORT SUPPORT B14 LONG SUPPORT B14 SHORT 6,5 PRC SUPPORT	X	X	X	X	X	X	
29	BANDEJA DE CARGADOR MAGAZINE TRAY	32218 32218L	B14 SHORT CAP B14 LONG CAP	X	X	X	X	X	X	
30	MUELLE BOTON APERTURA OPENING BUTTON SPRING	32219	MUELLE FLOOR PLATE	X	X	X	X	X	X	
31	CARGADOR MAGAZINE	33178 31431 32113U	CAJERA FLOOR PLATE 6,5 PRC CAJA CORTA CAJA ULTRA	X	X	X	X	X	X	
32	PASADOR GUARDAMONTES TRIGGER GUARD LOCK PINS	32132B	PASADOR Ø2x14 DIN 7	X	X	X	X	X	X	
33	BOTON APERTURA CARGADOR TRIGGER GUARD LOCKING PIN	32217	PALANCA B14	X	X	X	X	X	X	
34	TORNILLO TRASERO CULATA STOCK REAR SCREW	31422	TORNILLO ALLEN TRASERO CL12	X	X	X	X	X	X	
35	TORNILLO DELANTERO CULATA STOCK FRONT SCREW	31422B	TORNILLO DELANTERO B14	X	X	X	X	X	X	
		H234	CERAKOTE H-234 SNIPER GREY	X	X	X	X	X	X	

WILDERNESS RIDGE CARBON FLOOR PLATE



2023



BERGARA

#	DESCRIPTION	BOM ITEM	BOM DESCRIPTION			
				BW124C-65	BW123C-308	BW125C-300
1	CARCASA RECEIVER	RMEB14LA01RC RMEB14SA01RC	32114-REC MEC B14 LONG RH CARBONO 31434-REC MEC B14 SHORT RH CARBONO	X	X	X
2.a	CAÑÓN BARREL	TUB14031FC TUB14301FC TUB14753FC	40233-SLIP FIT-21,6 .65CRP1:8E6L22R5/8US FC-SS 40234-SLIP FIT-21,6-308P1:10L20R5/8US FC-SS 40232-SLIP FIT-21,6 300WMP1:10E6L24R5/8US FC-SS	X	X	X
2.b	TUBO FIBRA DE CARBONO FIBER CARBON TUBE	CFT20 CFT22 CFT24	SLIPFIT 20" CARBON FIBER TUBE SLIPFIT 22" CARBON FIBER TUBE SLIPFIT 24" CARBON FIBER TUBE	X	X	X
2.c	TUERCA TENSORA TENSIONING NUT	10001	SLIPFIT CF TUBE TENSIONING NUT	X	X	X
3	FRENO DE BOCA MUZZLE BRAKE	33192 33195	30 CAL D 17.8 (.700) MUZZLEBRAKE 5/8 24 UNEF 65 CAL D17.8 (.700) MUZZLEBRAKE 5/8 24 UNEF	X	X	X
4	RECOIL LUG RECOIL LUG	32672C	RECOIL LUG	X	X	X
5	PALANCA RETENCION CERROJO BOLT CATCH LEVER	31411	TOPE ESCAMOTEABLE B14	X	X	X
6	TORNILLO RETENCION CERROJO BOLT CATCH SCREW	31428	PASADOR TOPE	X	X	X
7	MUELLE RETENCION CERROJO BOLT CATCH SPRING	31585	MUELLE DE TOPE DE BOLT	X	X	X
8	DISPARADOR TRIGGER	32800	BERGARA TRIGGER	X	X	X
9	CUERPO CERROJO BOLT BODY	CMEB14LM01RCF CMEB14SA01RCF	33102BF- BOLT MEC B14 LONG MAG RH CARBONO FLUTES 33100F- BOLT MEC B14 SHORT RH CARBONO FLUTES	X	X	X
10	PERCUTOR FIRING PIN	33101 33103	PERCUTOR B14 CORTO 2018 PERCUTOR B14 LARGO 2018	X	X	X
11	MUELLE PERCUTOR FIRING PIN SPRING	32993	MUELLE PERCUTOR B14	X	X	X
12	CASQUILLO DEL PERCUTOR FIRING PIN BUSHING	32994	CORREDERA	X	X	X
13	ENGANCHE DEL PERCUTOR FIRING PIN LOCK	31432D	COCKING PIECE DISP REM	X	X	X
14	CUBIERTA DEL PERCUTOR FIRING PIN SHROUD	32995	CAPUCHON MIM	X	X	X
15	EXPULSOR EJECTOR	31450	EJECTOR PIN	X	X	X
16	MUELLE EMPUJE EJECTOR PLUNGER SPRING	31451	EJECTOR SPRING	X	X	X
17	PASADOR EMPUJE EJECTOR PIN	31587	PASADOR ESPIRAL DE 2 x 12 DIN 7343	X	X	X
18	MUELLE EXTRACTOR EXTRACTOR SPRING	32197	EXTRACTOR SPRING	X	X	X
19	BOLA DE EXTRACTOR EXTRACTOR BALL	32196	BOLA	X	X	X
20	EXTRACTOR EXTRACTOR	32198 32198B	STANDARD EXTRACTOR MAGNUM EXTRACTOR	X	X	X
21	POMO DEL CERROJO BOLT KNOB	32506	KNOB	X	X	X
22	CULATA STOCK	32304RB 32304LRB	RIDGE SHORT STOCK WILDERNESS SOFT RIDGE LONG STOCK SLIP FIT WILDERNESS SOFTFT	X	X	X
23	ROTULA PORTACORREA SLING SWIVEL	29116	BACK SCREW	X	X	X
24	CANTONERA RECOIL PAD	32315	CANTONERA OBLICUA - 2	X	X	X
25	TIRAFONDO CANTONERA RECOIL PAD SCREW	32327	TIRAFONDO CAB. AVELL. PVC 4x30	X	X	X
26	GUARDAMONTE TRIGGER GUARD	32333 32333L	GUARDAMONTES B14 CAJERA CORTO GUARDAMONTE CAJERA LARGO	X	X	X
27	PALANCA SUJECCION CARGADOR MAGAZINE CLAMPING LEVER	32334	PALANCA	X	X	X
28	MUELLE PALANCA LEVER SPRING	32335	MUELLE PALANCA	X	X	X
29	CHAPA EMPUJE CARGADOR MAGAZINE PUSHING PLATE	32336	CHAPA EMPUJE	X	X	X
30	PASADOR EMPUJE PUSHING PIN	32338	PASADOR Ø4x6 DIN7	X	X	X
31	CARGADOR MAGAZINE	32343 32343M	CAJERA CORTA B14 CAJERA LARGA MAGNUM B14	X	X	X
32	TORNILLO REGULADOR REGULATION SPRING	32357	TORNILLO M4x10 (TORNILLO HAFELE)	X	X	X
33	MUELLE DE EMPUJE PUSHING SPRING	32313	MUELLE	X	X	X
34	PASADOR GUARDAMONTES TRIGGER GUARD LOCKING PIN	32132B	PASADOR Ø2x14 DIN 7	X	X	X
35	TORNILLO TRASERO CULATA STOCK REAR SCREW	31422	TORNILLO ALLEN TRASERO CL12	X	X	X
36	TORNILLO DELANTERO CULATA STOCK FRONT SCREW	31422C	TORNILLO DELANTERO B14	X	X	X
*		H234	CERAKOTE H-234 SNIPER GREY	X	X	X

WILDERNESS RIDGE CARBON MAGAZINE



Documento de soporte. En caso de duda o discrepancia consultar la última actualización del Listado de Materiales en la ERP (Libra).

Rev	0
Fecha	10/01/2023