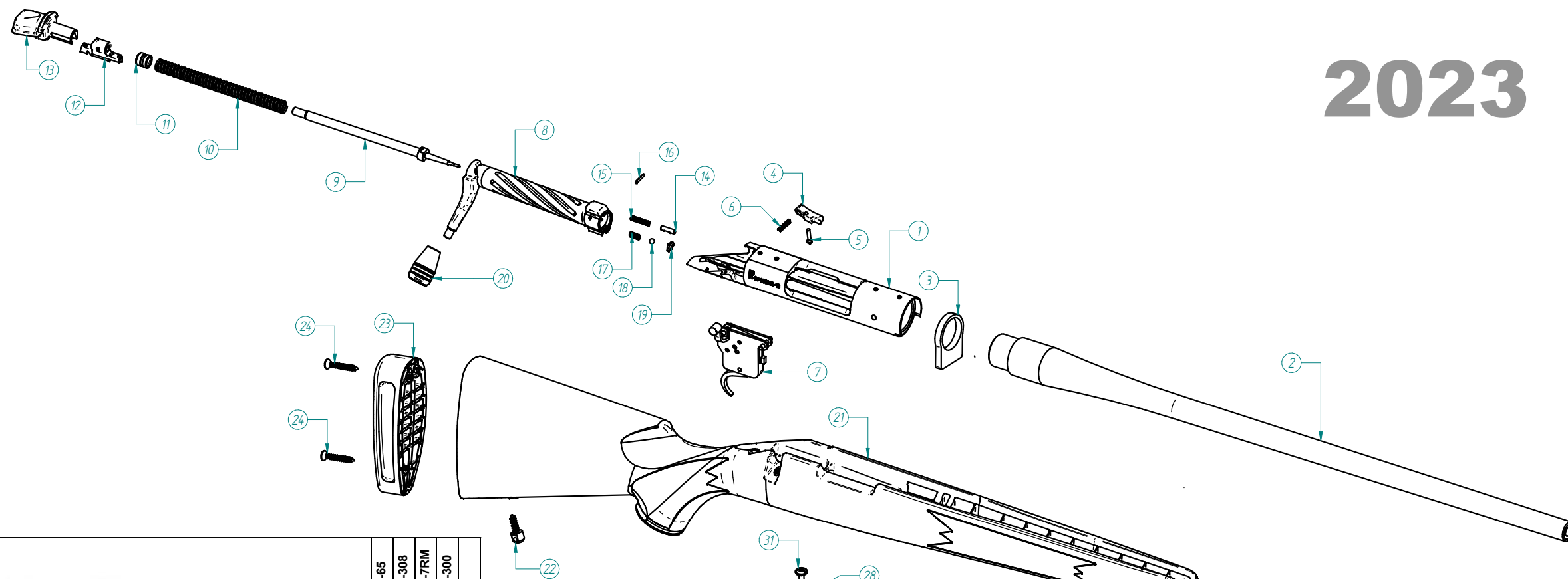


#	DESCRIPTION	BOM ITEM	BOM DESCRIPTION	ROW					
				BW14F-65	BW14F-308	BW14F-7RM	BW14F-300	USA	ROW
1	CARCASA RECEIVER	RMEB14LA01RC RMEB14LA02RC RMEB14LA05RC RMEB14SA01RC RMEB14SA02RC	32114-REC MEC B14 LONG RH CARBONO 33151FP- REC 300 PRC MEC B14 LONG RH CAR FP 33224FP- REC 28 NOSLER MEC B14 LONG RH CAR FP 31434-REC MEC B14 SHORT RH CARBONO 33150FP-REC 6,5 PRC MEC B14 SHORT RH CARBONO FP	X	X	X	X	X	X
2	CAÑON BARREL	31702 31712 31714 TUB14001C TUB14013C TUB14015C TUB14016C TUB14910C	31700-S-HUNT-D16,5-6,5CRP1:8L22EU-US 31710-LM-HUNT16,5_300WMP1:10E6L24US 31710-LM-HUNT16,5_7REMP1:9,5E4L24EU-US 31700-S-HUNT-D16,5-308WP1:10L22US 40235-S-HUNT-D16,5-65PRCP1:8L24EU-US 31710-LM-HUNT16,5_300PRCP1:09E6L24R5/8US 31710-LM-HUNT16,5_7PRCP1:08E6L24R5/8US 40192-L-HUNT16,5_28NOSLERP1:9,5E4L26EU-US	X	X	X	X	X	X
3	RECOIL LUG RECOIL LUG	32672C	RECOIL LUG	X	X	X	X	X	X
5	PALANCA RETENCION CERROJO BOLT CATCH LEVER	31411 31411P	TOPE ESCAMOTEABLE B14 TOPE ESCAMOTEABLE B14 PRC FLOORPLATE	X	X	X	X	X	X
5	TORNILLO RETENCION CERROJO BOLT CATCH SCREW	31428	PASADOR TOPE	X	X	X	X	X	X
6	MUELLE RETENCION CERROJO BOLT CATCH SPRING	31585	MUELLE DE TOPE DE BOLT	X	X	X	X	X	X
7	DISPARADOR TRIGGER	32800	BERGARA TRIGGER	X	X	X	X	X	X
8	CUERPO CERROJO BOLT BODY	CMEB14LM01RCF CMEB14SA01RCF CMEB14SM01RCF	33102BF- BOLT MEC B14 LONG MAG RH CARBONO FLUTES 33100F- BOLT MEC B14 SHORT RH CARBONO FLUTES 33100BF-BOLT MAG 6,5PRC MEC B14 SHORT RH CARB FLUT	X	X	X	X	X	X
9	PERCUTOR FIRING PIN	33101 33103	PERCUTOR B14 CORTO 2018 PERCUTOR B14 LARGO 2018	X	X	X	X	X	X
10	MUELLE PERCUTOR FIRING PIN SPRING	32993	MUELLE PERCUTOR B14	X	X	X	X	X	X
11	CASQUILLO DEL PERCUTOR FIRING PIN BUSHING	32994	CORREDERA	X	X	X	X	X	X
12	ENGANCHE DEL PERCUTOR FIRING PIN LOCK	31432D	COCKING PIECE DISP REM	X	X	X	X	X	X
13	CUBIERTA DEL PERCUTOR FIRING PIN SHROUD	32995	CAPUCHON MIM	X	X	X	X	X	X
14	EXPULSOR EJECTOR	31450 31450P	EJECTOR PIN EJECTOR PIN	X	X	X	X	X	X
15	MUELLE EMPUJE EJECTOR PLINGER SPRING	31451	EJECTOR SPRING	X	X	X	X	X	X
16	PASADOR EMPUJE EJECTOR PIN	31587	PASADOR ESPIRAL DE 2 x 12 DIN 7343	X	X	X	X	X	X
17	MUELLE EXTRACTOR EXTRACTOR SPRING	32197	EXTRACTOR SPRING	X	X	X	X	X	X
18	BOLA DE EXTRACTOR EXTRACTOR BALL	32196	BOLA	X	X	X	X	X	X
19	EXTRACTOR EXTRACTOR	32198 32198B	STANDARD EXTRACTOR MAGNUM EXTRACTOR	X	X	X	X	X	X
20	POMO DEL CERROJO BOLT KNOB	33056B	POMO BMR-B14	X	X	X	X	X	X
21	CULATA STOCK	32304GB 32304LGB 32304PGB 32304LPB	CULATA B14 SHORT HUNTER WILDERNESS SOFT CULATA B14 LONG HUNTER WILDERNESS SOFT HUNTER SHORT PRC STOCK WILDERNESS SOFT TOUCH CULATA HUNTER LARGA PRC WILDERNESS SOFT	X	X	X	X	X	X
22	ROTULA PORTACORREA SLING SWIVEL	29116	BACK SCREW	X	X	X	X	X	X
23	CANTONERA RECOIL PAD	32315	CANTONERA OBLICUA - 2	X	X	X	X	X	X
24	TIRAFONDO CANTONERA RECOILD PAD SCREW	32327	TIRAFONDO. CAB. AVELL. PVC 4x30	X	X	X	X	X	X
25	MUELLE DEL GARGADOR MAGAZINE SPRING	31444C 31444S 32933S	MUELLE MAGAZINE CREEDMOOR MUELLE CAJERA MUELLE MAGAZINE	X	X	X	X	X	X
26	SEGUIDOR FOLLOWER	31427 33180 33181 32115	SEGUIDOR CORTO SEGUIDOR 6,5 PRC SEGUIDOR 300 PRC SEGUIDOR LARGO	X	X	X	X	X	X
27	GUARDAMONTE TRIGGER GUARD	32116L 32216 32216LP 32216P	B14 LONG SUPPORT B14 SHORT SUPPORT B14 LONG SUPPORT PRC B14 SHORT 6,5 PRC SUPPORT	X	X	X	X	X	X
28	BANDEJA DE CARGADOR MAGAZINE TRAY	32218 32218L	B14 SHORT CAP B14 LONG CAP	X	X	X	X	X	X
29	MUELLE BOTON APERTURA OPENNING BUTTON SPRING	32219	MUELLE FLOOR PLATE	X	X	X	X	X	X
30	CARGADOR MAGAZINE	33178 33179 31431 32113U	CAJERA FLOOR PLATE 6,5 PRC MAGAZIN 300 PRC CAJA CORTA CAJA ULTRA	X	X	X	X	X	X
31	PASADOR GUARDAMONTES TRIGGER GUARD LOCK PINS	32132B	PASADOR Ø2x14 DIN 7	X	X	X	X	X	X
32	BOTON APERTURA CARGADOR TRIGGER GUARD LOCKING PIN	32217	PALANCA B14	X	X	X	X	X	X
33	TORNILLO TRASERO CULATA STOCK REAR SCREW	31422	TORNILLO ALLEN TRASERO CL12	X	X	X	X	X	X
34	TORNILLO DELANTERO CULATA STOCK FRONT SCREW	31422B	TORNILLO DELANTERO B14	X	X	X	X	X	X
		H234	CERAKOTE H-234 SNIPER GREY	X	X	X	X	X	X

WILDERNESS HUNTER FLOORPLATE



2023



BERGARA

#	DESCRIPTION	BOM ITEM	BOM DESCRIPTION	ROW			
				BW114-65	BW114-308	BW115-7RM	BW115-300
1	CARCASA RECEIVER	RMEB14LA01RC RMEB14SA01RC	32114-REC MEC B14 LONG RH CARBONO 31434-REC MEC B14 SHORT RH CARBONO	X	X	X	X
2	CAÑON BARREL	31702 31712 31714 TUB14001C	31700-S-HUNT-D16,5-6,5CRP1:8L22EU-US 31710-LM-HUNTD16,5_300WMP1:10E6L24US 31710-LM-HUNTD16,5_7REMP1:9,5E4L24EU-US 31700-S-HUNT-D16,5-308WP1:10L22US	X		X	
3	RECOIL LUG RECOL LUG	32672C	RECOIL LUG	X	X	X	X
4	PALANCA RETENCION CERROJO BOLT CATCH LEVER	31411	TOPE ESCAMOTEABLE B14	X	X	X	X
5	TORNILLO RETENCION CERROJO BOLT CATCH SCREW	31428	PASADOR TOPE	X	X	X	X
6	MUELLE RETENCION CERROJO BOLT CATCH SPRING	31585	MUELLE DE TOPE DE BOLT	X	X	X	X
7	DISPARADOR TRIGGER	32800	BERGARA TRIGGER	X	X	X	X
8	CUERPO CERROJO BOLT BODY	CMEB14LM01RCF CMEB14SA01RCF	33102BF- BOLT MEC B14 LONG MAG RH CARBONO FLUTES 33100F- BOLT MEC B14 SHORT RH CARBONO FLUTES	X	X		X
9	PERCUTOR FIRING PIN	33101 33103	PERCUTOR B14 CORTO 2018 PERCUTOR B14 LARGO 2018	X	X		X
10	MUELLE PERCUTOR FIRING PIN SPRING	32993	MUELLE PERCUTOR B14	X	X	X	X
11	CASQUILLO DEL PERCUTOR FIRING PIN BUSHING	32994	CORREDERA	X	X	X	X
12	ENGANCHE DEL PERCUTOR FIRING PIN LOCK	31432D	COCKING PIECE DISP REM	X	X	X	X
13	CUBIERTA DEL PERCUTOR FIRING PIN SHROUD	32995	CAPUCHON MIM	X	X	X	X
14	EXPULSOR EJECTOR	31450	EJECTOR PIN	X	X	X	X
15	MUELLE EMPUJE EJECTOR PLUNGER SPRING	31451	EJECTOR SPRING	X	X	X	X
16	PASADOR EMPUJE EJECTOR PIN	31587	PASADOR ESPIRAL DE 2 x 12 DIN 7343	X	X	X	X
17	MUELLE EXTRACTOR EXTRACTOR SPRING	32197	EXTRACTOR SPRING	X	X	X	X
18	BOLA DE EXTRACTOR EXTRACTOR BALL	32196	BOLA	X	X	X	X
19	EXTRACTOR EXTRACTOR	32198 32198B	STANDARD EXTRACTOR MAGNUM EXTRACTOR	X	X		X
20	POMO DEL CERROJO BOLT KNOB	33056B	POMO BMR-B14	X	X	X	X
21	CULATA STOCK	32304LGB 32304GB	CULATA B14 LONG HUNTER WILDERNESS SOFT CULATA B14 SHORT HUNTER WILDERNESS SOFT	X	X		X
22	ROTULA PORTACORREA SLING SWIVEL	29116	BACK SCREW	X	X	X	X
23	CANTONERA RECOIL PAD	32315	CANTONERA OBLICUA - 2	X	X	X	X
24	TIRAFONDO CANTONERA RECOIL PAD SCREW	32327	TIRAFONDO. CAB. AVELL...PVC 4x30	X	X	X	X
25	GUARDAMONTE TRIGGER GUARD	32333 32333L	GUARDAMONTES B14 CAJERA CORTO GUARDAMONTE CAJERA LARGO	X	X		X
26	PALANCA SUECCION CARGADOR MAGAZINE CLAMPING LEVER	32334	PALANCA	X	X	X	X
27	MUELLE PALANCA LEVER SPRING	32335	MUELLE PALANCA	X	X	X	X
28	CHAPA EMPUJE CARGADOR MAGAZINE PUSHING PLATE	32336	CHAPA EMPUJE	X	X	X	X
29	PASADOR EMPUJE PUSHING PIN	32338	PASADOR Ø4x6 DIN7	X	X	X	X
30	CARGADOR MAGAZINE	32343 32343M	CAJERA CORTA B14 CAJERA LARGA MAGNUM B14	X	X		X
31	TORNILLO REGULADOR REGULATION SPRING	32357	TORNILLO M4x10 (TORNILLO HAFELE)	X	X	X	X
32	MUELLE DE EMPUJE PUSHING SPRING	32313	MUELLE	X	X	X	X
33	PASADOR GUARDAMONTES TRIGGER GUARD LOCKING PIN	32132B	PASADOR Ø2x14 DIN 7	X	X	X	X
34	TORNILLO TRASERO CULATA STOCK REAR SCREW	31422	TORNILLO ALLEN TRASERO CL12	X	X	X	X
35	TORNILLO DELANTERO CULATA STOCK FRONT SCREW	31422C	TORNILLO DELANTERO B14	X	X	X	X
*		H234	CERAKOTE H-234 SNIPER GREY	X	X	X	X

WILDERNESS HUNTER MAGAZINE



Documento de soporte. En caso de duda o discrepancia consultar la última actualización del Listado de Materiales en la ERP (Libra).

Rev	0
Fecha	12/01/2023