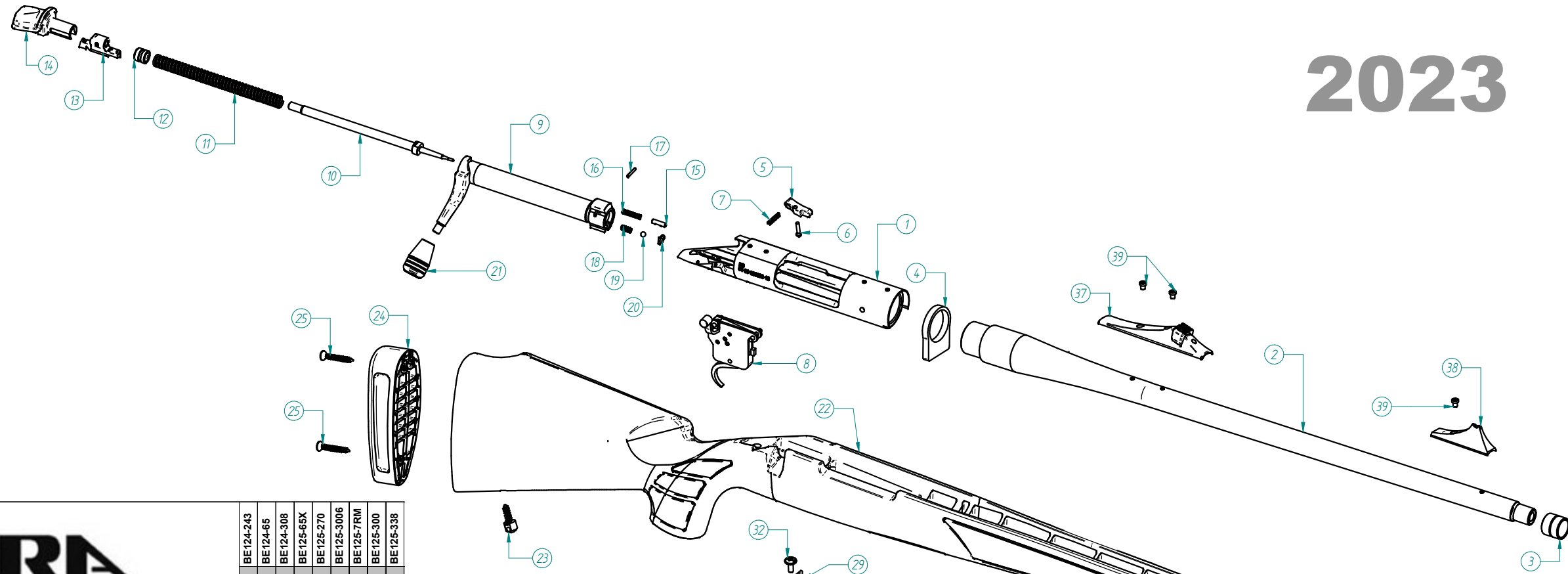


2023

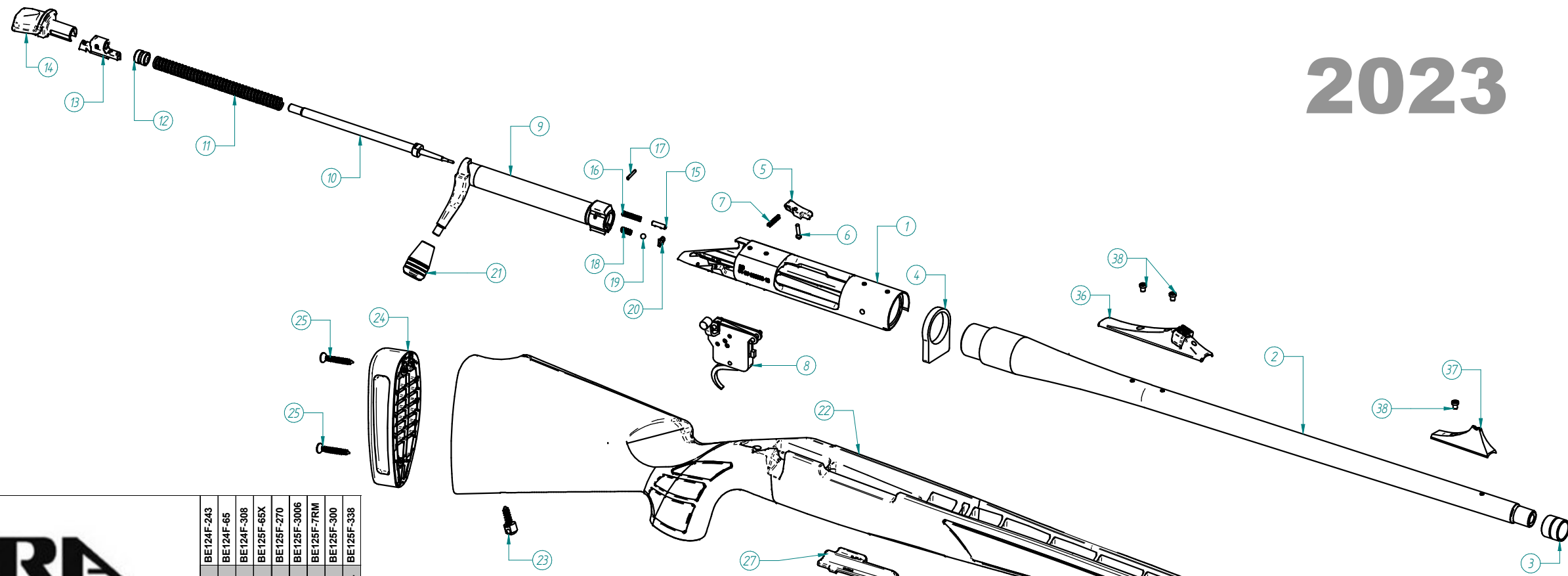


#	DESCRIPTION	BOM ITEM	BOM DESCRIPTION	243 Win	6.5 Creed	308 Win	6.5x55	270 Win	30-06 Spr.	7 Rem Mag	300 Win Mag	338 Win Mag.
1	CARCASA RECEIVER	RMEB14LA01RC RMEB14SA01RC	32114-REC MEC B14 LONG RH CARBONO 31434-REC MEC B14 SHORT RH CARBONO	X	X	X	X	X	X	X	X	X
2	CAÑON BARREL	31700R 31701R 31702R 31712R 31713R 31714R TUB14601C TUB14602C TUB14604C	31700R-S-HUNT-D16,6-308P1:12L22RM14EU 31700R-S-HUNT-D16,6-243P1:10L22RM14EU 31700R-S- B14-HUN 6,5 CR P 1:8 L=22 31710R-LM-HUNTD16,6_300WMP1:10E6L24M14EU 31710R-L-HUNTD16,6_6,5X55P1:8,66E4L24M14EU 31710R-LM-HUNTD16,6_7REMP1:9,5E4L24M14EU 31710R-L-HUNTD16,6_270P1:10E6L24M14EU 31710R-L-HUNTD16,6_30-06P1:10L24M14EU 32376R-L-HUNTD16,6_338P1:10L24M15EU	X	X	X	X	X	X	X	X	X
3	CUBRE ROSCAS TREAD CUP	32322 32418	CUBRE-ROSCAS B14 - M14x1 - Ø16,8 CUBRE-ROSCAS B14 - M15x1 - Ø19	X	X	X	X	X	X	X	X	X
4	RECOIL LUG RECOIL LUG	32672C	RECOIL LUG	X	X	X	X	X	X	X	X	X
5	PALANCA RETENCION CERROJO BOLT CATCH LEVER	31411	TOPE ESCAMOTEABLE B14	X	X	X	X	X	X	X	X	X
6	TORNILLO RETENCION CERROJO BOLT CATCH SCREW	31428	PASADOR TOPE	X	X	X	X	X	X	X	X	X
7	MUELLE RETENCION CERROJO BOLT CATCH SPRING	31585	MUELLE DE TOPE DE BOLT	X	X	X	X	X	X	X	X	X
8	DISPARADOR TRIGGER	32800	BERGARA TRIGGER	X	X	X	X	X	X	X	X	X
9	CUERPO CERROJO BOLT BODY	CMEB14LA01RC CMEB14LM01RC CMEB14SA01RC	33102- BOLT MEC B14 LONG RH CARBONO 33102B- BOLT MEC B14 LONG MAG RH CARBONO 33100- BOLT MEC B14 SHORT RH CARBONO	X	X	X	X	X	X	X	X	X
10	PERCUTOR FIRING PIN	33101 33103	PERCUTOR B14 CORTO 2018 PERCUTOR B14 LARGO 2018	X	X	X	X	X	X	X	X	X
11	MUELLE PERCUTOR FIRING PIN SPRING	32993	MUELLE PERCUTOR B14	X	X	X	X	X	X	X	X	X
12	CASQUILLO DEL PERCUTOR FIRING PIN BUSHING	32994	CORREDERA	X	X	X	X	X	X	X	X	X
13	ENGANCHE DEL PERCUTOR FIRING PIN LOCK	31432D	COCKING PIECE DISP REM	X	X	X	X	X	X	X	X	X
14	CUBIERTA DEL PERCUTOR FIRING PIN SHROUD	32995	CAPUCHON MIM	X	X	X	X	X	X	X	X	X
15	EXPULSOR EJECTOR	31450	EJECTOR PIN	X	X	X	X	X	X	X	X	X
16	MUELLE EMPUJE EJECTOR PLUNGER SPRING	31451	EJECTOR SPRING	X	X	X	X	X	X	X	X	X
17	PASADOR EMPUJE EJECTOR PIN	31587	PASADOR ESPIRAL DE 2 x 12 DIN 7343	X	X	X	X	X	X	X	X	X
18	MUELLE EXTRACTOR EXTRACTOR SPRING	32197	EXTRACTOR SPRING	X	X	X	X	X	X	X	X	X
19	BOLA DE EXTRACTOR EXTRACTOR BALL	32196	BOLA	X	X	X	X	X	X	X	X	X
20	EXTRACTOR EXTRACTOR	32198 32198B	STANDARD EXTRACTOR MAGNUM EXTRACTOR	X	X	X	X	X	X	X	X	X
21	POMO DEL CERROJO BOLT KNOB	33056B	POMO BMR-B14	X	X	X	X	X	X	X	X	X
22	CULATA STOCK	32215LP 32215P	CULATA PLAST B14 LARGA PINTAD NEGRA CULATA PLAST B14 CORTA PINTAD NEGRO	X	X	X	X	X	X	X	X	X
23	ROTULA PORTACORREA SLING SWIVEL	29116	BACK SCREW	X	X	X	X	X	X	X	X	X
24	CANTONERA RECOIL PAD	31568	CANTONERA OBLICUA	X	X	X	X	X	X	X	X	X
25	TIRAFONDO CANTONERA RECOIL PAD SCREW	32327	TIRAFONDO CAB. AVELL. PVC 4x30	X	X	X	X	X	X	X	X	X
26	GUARDAMONTE TRIGGER GUARD	32333 32333L	GUARDAMONTES B14 CAJERA CORTO GUARDAMONTE CAJERA LARGO	X	X	X	X	X	X	X	X	X
27	PALANCA SWECCION CARGADOR MAGAZINE CLAMPING LEVER	32334	PALANCA	X	X	X	X	X	X	X	X	X
28	MUELLE PALANCA LEVER SPRING	32335	MUELLE PALANCA	X	X	X	X	X	X	X	X	X
29	CHAPA EMPUJE CARGADOR MAGAZINE PUSHING PLATE	32336	CHAPA EMPUJE	X	X	X	X	X	X	X	X	X
30	PASADOR EMPUJE PUSHING PIN	32338	PASADOR Ø4x6 DIN7	X	X	X	X	X	X	X	X	X
31	CARGADOR MAGAZINE	32343 32343L 32343M	CAJERA CORTA B14 CAJERA LARGA B14 CAJERA LARGA MAGNUM B14	X	X	X	X	X	X	X	X	X
32	TORNILLO REGULADOR REGULATION SPRING	32357	TORNILLO M4x10 (TORNILLO HAFELE)	X	X	X	X	X	X	X	X	X
33	MUELLE DE EMPUJE PUSHING SPRING	32313	MUELLE	X	X	X	X	X	X	X	X	X
34	PASADOR GUARDAMONTES TRIGGER GUARD LOCKING PIN	32132B	PASADOR Ø2x14 DIN 7	X	X	X	X	X	X	X	X	X
35	TORNILLO TRASERO CULATA STOCK REAR SCREW	31422	TORNILLO ALLEN TRASERO CL12	X	X	X	X	X	X	X	X	X
36	TORNILLO DELANTERO CULATA STOCK FRONT SCREW	31422C	TORNILLO DELANTERO B14	X	X	X	X	X	X	X	X	X
37	CONJUNTO ALZA REAR SIGHT	31660	CONJUNTO ALZA BX11	X	X	X	X	X	X	X	X	X
38	CONJUNTO MRA FRONT SIGHT	32282	MIRA BX11	X	X	X	X	X	X	X	X	X
39	TORNILLO ALZA-MIRA SIGHT SCREWS	20549T	TORNILLO DE FIJACION A Y M TORX	X	X	X	X	X	X	X	X	X
*		H146	CERAKOTE H-146 GRAPHITE BLACK	X	X	X	X	X	X	X	X	X

B14 SPORTER MAGAZINE



2023



DESCRIPTION	BOM ITEM	BOM DESCRIPTION	243 Win	6.5 Creed	308 Win	6.5x55	270 Win	30-06 Spr.	7 Rem Mag	300 Win Mag	338 Win Mag
CARCASA RECEIVER	RMEB14LA01RC RMEB14SA01RC	32114-REC MEC B14 LONG RH CARBONO 31434-REC MEC B14 SHORT RH CARBONO	X	X	X	X	X	X	X	X	X
CAÑON BARREL	31700R 31701R 31702R 31712R 31713R 31714R TUB14601C TUB14602C TUB14604C	31700R-S-HUNT-D16,6-308P1:12L22RM14EU 31700R-S-HUNT-D16,6-243P1:10L22RM14EU 31700R-S- B14-HUN 6,5 CR P 1:8 L=22 31710R-LM-HUNTD16,6_300WMP1:10E6L24M14EU 31710R-L-HUNTD16,6_6,5X55P1:8,6E4L24M14EU 31710R-LM-HUNTD16,6_7REMP1:9,5E4L24M14EU 31710R-L-HUNTD16,6_270P1:10E6L24M14EU 31710R-L-HUNTD16,6_30-06P1:10L24M14EU 32376R-L-HUNTD16,6_338P1:10L24M15EU	X	X	X	X	X	X	X	X	X
CUBRE ROSCAS THREAD CUP	32322 32418	CUBRE-ROSCAS B14 - M14x1 - Ø16,8 CUBRE-ROSCAS B14 - M15x1 - Ø19	X	X	X	X	X	X	X	X	X
RECOIL LUG RECOIL LUG	32672C	RECOIL LUG	X	X	X	X	X	X	X	X	X
PALANCA RETENCION CERROJO BOLT CATCH LEVER	31411	TOPE ESCAMOTEABLE B14	X	X	X	X	X	X	X	X	X
TORNILLO RETENCION CERROJO BOLT CATCH SCREW	31428	PASADOR TOPE	X	X	X	X	X	X	X	X	X
MUELLE RETENCION CERROJO BOLT CATCH SPRING	31585	MUELLE DE TOPE DE BOLT	X	X	X	X	X	X	X	X	X
DISPARADOR TRIGGER	32800	BERGARA TRIGGER	X	X	X	X	X	X	X	X	X
CUERPO CERROJO BOLT BODY	CMEB14LA01RC CMEB14LM01RC CMEB14SA01RC	33102- BOLT MEC B14 LONG RH CARBONO 33102B- BOLT MEC B14 LONG MAG RH CARBONO 33100- BOLT MEC B14 SHORT RH CARBONO	X	X	X	X	X	X	X	X	X
PERCUTOR FIRING PIN	33101 33103	PERCUTOR B14 CORTO 2018 PERCUTOR B14 LARGO 2018	X	X	X	X	X	X	X	X	X
MUELLE PERCUTOR FIRING PIN SPRING	32993	MUELLE PERCUTOR B14	X	X	X	X	X	X	X	X	X
CASQUILLO DEL PERCUTOR FIRING PIN BUSHING	32994	CORREDERA	X	X	X	X	X	X	X	X	X
ENGANCHE DEL PERCUTOR FIRING PIN LOCK	31432D	COCKING PIECE DISP REM	X	X	X	X	X	X	X	X	X
CUBIERTA DEL PERCUTOR FIRING PIN SHROUD	32995	CAPUCHON MIM	X	X	X	X	X	X	X	X	X
EXPULSOR EJECTOR	31450	EJECTOR PIN	X	X	X	X	X	X	X	X	X
MUELLE EMPUJE EJECTOR PLUNGER SPRING	31451	EJECTOR SPRING	X	X	X	X	X	X	X	X	X
PASADOR EMPUJE EJECTOR PIN	31587	PASADOR ESPIRAL DE 2 x 12 DIN 7343	X	X	X	X	X	X	X	X	X
MUELLE EXTRACTOR EXTRACTOR SPRING	32197	EXTRACTOR SPRING	X	X	X	X	X	X	X	X	X
BOLA DE EXTRACTOR EXTRACTOR BALL	32196	BOLA	X	X	X	X	X	X	X	X	X
EXTRACTOR EXTRACTOR	32198 32198B	STANDARD EXTRACTOR MAGNUM EXTRACTOR	X	X	X	X	X	X	X	X	X
POMO DEL CERROJO BOLT KNOB	33056B	POMO BMR-B14	X	X	X	X	X	X	X	X	X
CULATA STOCK	32215LP 32215P	CULATA PLAST B14 LARGA PINTAD NEGRA CULATA PLAST B14 CORTA PINTAD NEGRO	X	X	X	X	X	X	X	X	X
ROTULA PORTACORREA SLING SWIVEL	29116	BACK SCREW	X	X	X	X	X	X	X	X	X
CANTONERA RECOIL PAD	31568	CANTONERA OBLICUA	X	X	X	X	X	X	X	X	X
TIRAFONDO CANTONERA RECOIL PAD SCREW	32327	TIRAFONDO. CAB. AVELL. PVC 4x30	X	X	X	X	X	X	X	X	X
MUELLE DEL GARGADOR MAGAZINE SPRING	31444S 31444C	MUELLE CAJERA MUELLE MAGAZINE CREEDMOOR	X	X	X	X	X	X	X	X	X
SEGUIDOR FOLLOWER	31427 32115	SEGUIDOR CORTO SEGUIDOR LARGO	X	X	X	X	X	X	X	X	X
GUARDAMONTE TRIGGER GUARD	32216 32116L	B14 SHORT SUPPORT	X	X	X	X	X	X	X	X	X
BANDEJA DE CARGADOR MAGAZINE TRAY	32218 32218L	B14 SHORT CAP	X	X	X	X	X	X	X	X	X
MUELLE BOTON APERTURA OPENNING BUTTON SPRING	32219	MUELLE FLOOR PLATE	X	X	X	X	X	X	X	X	X
CARGADOR MAGAZINE	31431 32113 32113U	CAJA CORTA CAJA LARGA CAJA ULTRA	X	X	X	X	X	X	X	X	X
PASADOR GUARDAMONTES TRIGGER GUARD LOCK PINS	32132B	PASADOR Ø2x14 DIN 7	X	X	X	X	X	X	X	X	X
BOTON APERTURA CARGADOR TIGGER GUARD LOCKING PIN	32217	PALANCA B14	X	X	X	X	X	X	X	X	X
TORNILLO TRASERO CULATA STOCK REAR SCREW	31422	TORNILLO ALLEN TRASERO CL12	X	X	X	X	X	X	X	X	X
TORNILLO DELANTERO CULATA STOCK FRONT SCREW	31422B	TORNILLO DELANTERO B14	X	X	X	X	X	X	X	X	X
CONJUNTO ALZA REAR SIGHT	31660	CONJUNTO ALZA BX11	X	X	X	X	X	X	X	X	X
CONJUNTO MIRA FRONT SIGHT	32282	MIRA BX11	X	X	X	X	X	X	X	X	X
TORNILLO ALZA-MIRA SIGHT SCREWS	20549T	TORNILLO DE FIJACION A Y M TORX	X	X	X	X	X	X	X	X	X
	H146	CERAKOTE H-146 GRAPHITE BLACK	X	X	X	X	X	X	X	X	X

B14 SPORTER FLOOR PLATE

