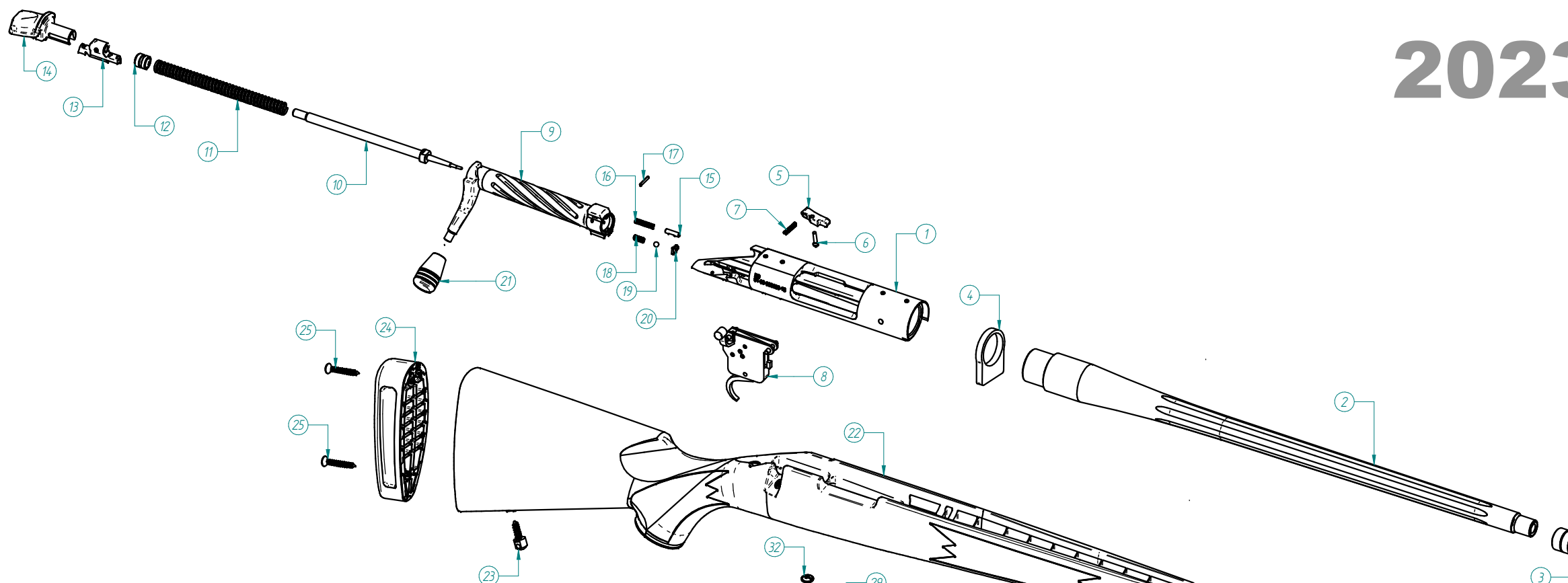


2023



BERGARA

BX112-65V
BX112-308V

#	DESCRIPTION	BOM ITEM	BOM DESCRIPTION	6,5 Creed	308 Win
1	CARCASA RECEIVER	RMEB14SA01RS	31434S-REC MEC B14 SHORT RH INOX	X	X
2	CAÑÓN BARREL	TUB14240S TUB14238S	6 FLUTE* -40166 B14S-RID-Ø16,6 [6,5CrP1:08E6L18SS]M14x1 6 FLUTE* -40166 B14-RID-Ø16,6[308P1:10E6L18SS] M14x1	X	X
3	CUBRE ROSCAS TREAD CUP	32322	CUBRE-ROSCAS B14 - M14x1 - Ø16,8	X	X
4	RECOIL LUG RECOIL LUG	32672C	RECOIL LUG	X	X
5	PALANCA RETENCION CERROJO BOLT CATCH LEVER	31411	TOPE ESCAMOTEABLE B14	X	X
6	TORNILLO RETENCION CERROJO BOLT CATCH SCREW	31428	PASADOR TOPE	X	X
7	MUELLE RETENCION CERROJO BOLT CATCH SPRING	31585	MUELLE DE TOPE DE BOLT	X	X
8	DISPARADOR TRIGGER	32800	BERGARA TRIGGER	X	X
9	CUERPO CERROJO BOLT BODY	CMEB14SA01RCF	33100F- BOLT MEC B14 SHORT RH CARBONO FLUTES	X	X
10	PERCUTOR FIRING PIN	33101	PERCUTOR B14 CORTO 2018	X	X
11	MUELLE PERCUTOR FIRING PIN SPRING	32993	MUELLE PERCUTOR B14	X	X
12	CASQUILLO DEL PERCUTOR FIRING PIN BUSHING	32994	CORREDERA	X	X
13	ENGANCHE DEL PERCUTOR FIRING PIN LOCK	31432D	COCKING PIECE DISP REM	X	X
14	CUBIERTA DEL PERCUTOR FIRING PIN SHROUD	32995	CAPUCHON MIM	X	X
15	EXPULSOR EJECTOR	31450	EJECTOR PIN	X	X
16	MUELLE EMPUJE EJECTOR PLUNGER SPRING	31451	EJECTOR SPRING	X	X
17	PASADOR EMPUJE EJECTOR PIN	31587	PASADOR ESPIRAL DE 2 x 12 DIN 7343	X	X
18	MUELLE EXTRACTOR EXTRACTOR SPRING	32197	EXTRACTOR SPRING	X	X
19	BOLA DE EXTRACTOR EXTRACTOR BALL	32196	BOLA	X	X
20	EXTRACTOR EXTRACTOR	32198	STANDARD EXTRACTOR	X	X
21	POMO DEL CERROJO BOLT KNOB	32506	KNOB	X	X
22	CULATA STOCK	32304VU	CULATA HUNTER SHORT VIPER URBAN TRUE TIMBER)	X	X
23	ROTULA PORTACORREA SLING SWIVEL	29116	BACK SCREW	X	X
24	CANTONERA RECOIL PAD	32315	CANTONERA OBLICUA - 2	X	X
25	TIRAFONDO CANTONERA RECOILD PAD SCREW	32327	TIRAFONDO. CAB. AVELL..PVC 4x30	X	X
26	GUARDAMONTE TRIGGER GUARD	32333	GUARDAMONTES B14 CAJERA CORTO	X	X
27	PALANCA SUJECCION CARGADOR MAGAZINE CLAMPING LEVER	32334	PALANCA	X	X
28	MUELLE PALANCA LEVER SPRING	32335	MUELLE PALANCA	X	X
29	CHAPA EMPUJE CARGADOR MAGAZINE PUSHING PLATE	32336	CHAPA EMPUJE	X	X
30	PASADOR EMPUJE PUSHING PIN	32338	PASADOR Ø4x6 DIN7	X	X
31	CARGADOR MAGAZINE	32343	CAJERA CORTA B14	X	X
32	TORNILLO REGULADOR REGULATION SPRING	32357	TORNILLO M4x10 (TORNILLO HAFELE)	X	X
33	MUELLE DE EMPUJE PUSHING SPRING	32313	MUELLE	X	X
34	PASADOR GUARDAMONTES TRIGGER GUARD LOCKING PIN	32132B	PASADOR Ø2x14 DIN 7	X	X
35	TORNILLO TRASERO CULATA STOCK REAR SCREW	31422	TORNILLO ALLEN TRASERO CL12	X	X
36	TORNILLO DELANTERO CULATA STOCK FRONT SCREW	31422C	TORNILLO DELANTERO B14	X	X
*		H146	CERAKOTE H-146 GRAPHITE BLACK	X	X

EXTREME HUNTER VIPER URBAN



Documento de soporte. En caso de duda o discrepancia consultar la última actualización del Listado de Materiales en la ERP (Libra).

Rev 0
Fecha 16/01/2023