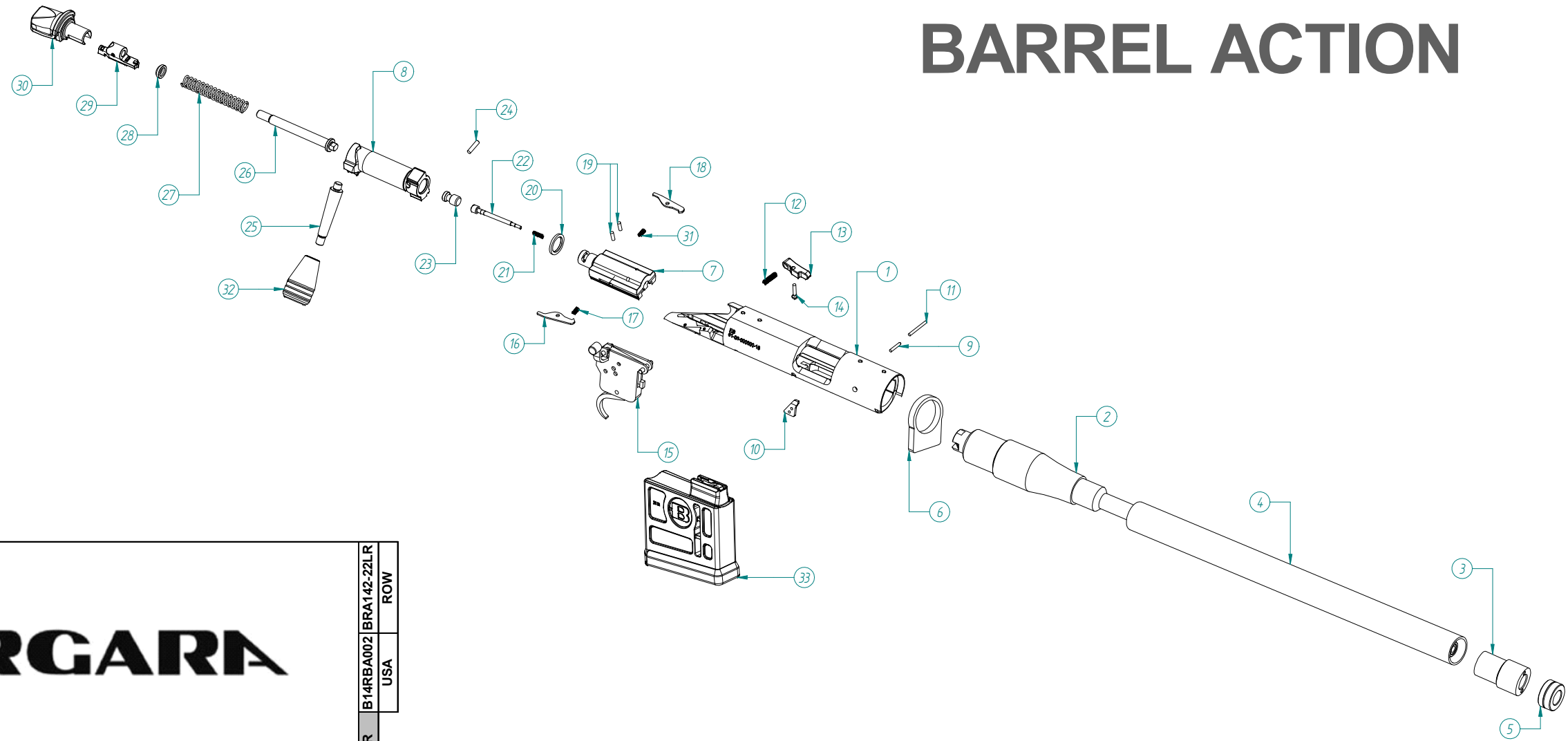


# 2022 B14R FIBER CARBON BARREL ACTION

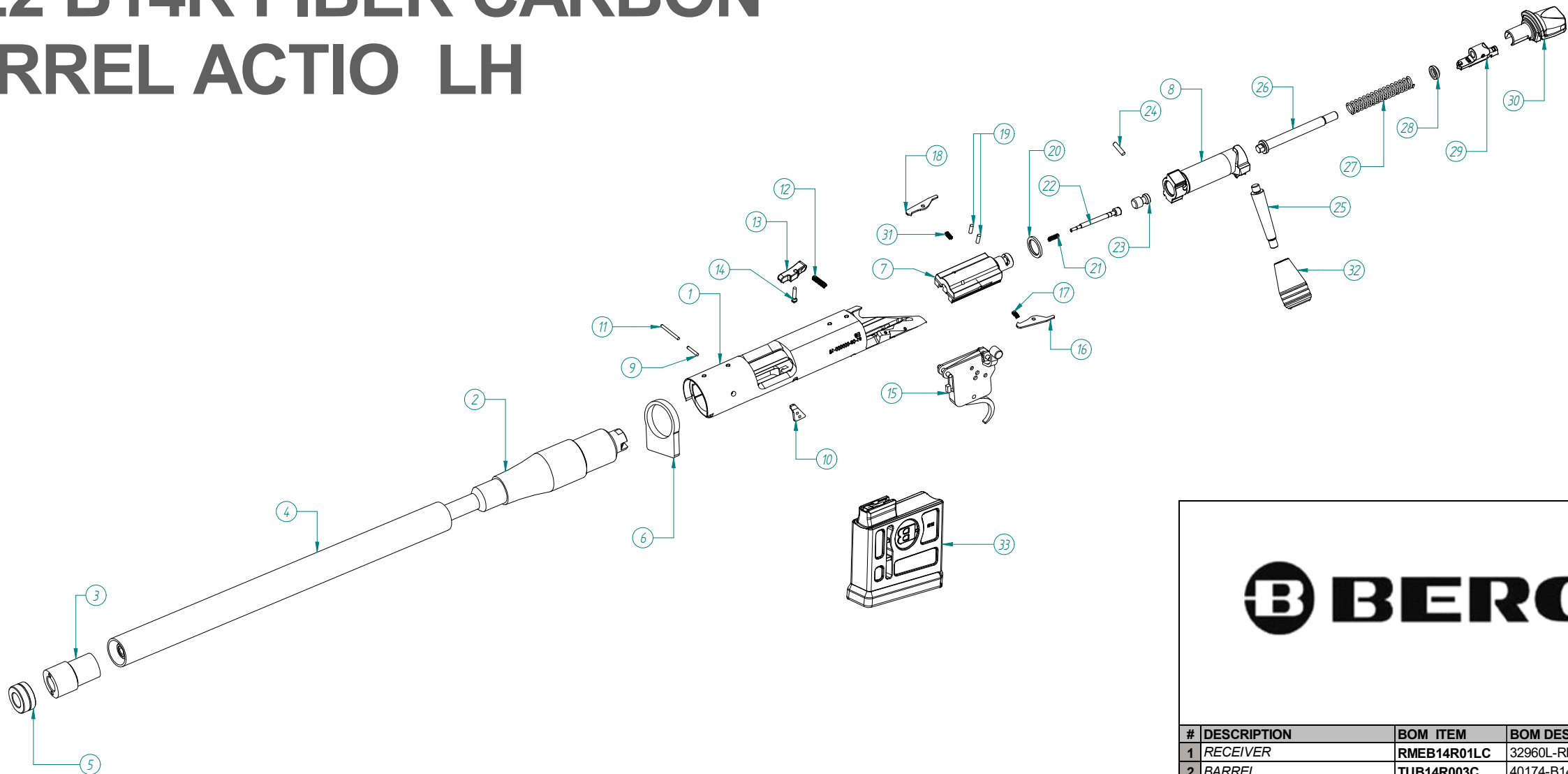


**B BERGARA**

B14RBA002 | BRA142-22LR  
USA  
ROW

#	DESCRIPTION	BOM ITEM	BOM DESCRIPTION	.22 LR
1	RECEIVER	RMEB14R01RC	32960-REC MEC B14R RH CAR	X
2	BARREL	TUB14R003C	40174-B14R-D12,7-22LRP1:16E6L18R1/2	X
3	TUBE END CAP	33185	TUBE END CAP 1/2-28 THREAD	X
4	CARBON FIBER TUBE	32897	CARBON FIBER TUBE L=317,5 D=23,2 d=20	X
5	THREAD CAP	32898	THREAD CAP 1/2-28 UNEF Ø23,2 BLUED	X
6	RECOIL LUG	32672C	RECOIL LUG	X
7	BOLT HEAD	CMEB14R01RC	32961-BOLT DELANTERO MEC B14R RH CAR	X
8	BOLT BODY	CMEB14R02RC	32962-BOLT TRASERO MEC B14R RH CAR	X
9	EJECTOR PIN BOTTOM	33000	PASADOR Ø2X14 DIN6325	X
10	EJECTOR	32969	EYECTOR B14 TRAINER	X
11	EJECTOR PIN TOP	33001	PASADOR Ø2x24 DIN6325	X
12	BOLT CATCH SPRING	31585	MUELLE DE TOPE DE BOLT	X
13	BOLT CATCH LEVER	31411	TOPE ESCAMOTEABLE B14	X
14	BOLT CATCH SCREW	31428	PASADOR TOPE	X
15	TRIGGER	32800	BERGARA TRIGGER	X
16	RIGHT EXTRACTOR	32971	EXTRACTOR PRIMARIO	X
17	EXTRACTOR SPRING	32974B	MUELLE EXTRACTOR	X
18	LEFT EXTRACTOR	32972	EXTRACTOR SECUNDARIO	X
19	EXTRACTOR PIN	32980B	PASADOR Ø2,5x8 DIN7343	X
20	BOLT HEAD SPACER	32988C	ARANDELA DE AJUSTE 1,6	X
21	STRIKER SPRING	32968	MUELLE PERCUTOR DELANTERO	X
22	STRIKER	32967	PERCUTOR DELANTERO	X
23	STRIKER CUP	32970	PERCUTOR CENTRAL	X
24	STRIKER RETAIN PIN	32982B	PASADOR Ø3x12 DIN7343	X
25	BOLT HANDLE	33122	B14 LEFT PALANCA	X
26	FIRING PIN	32965	PERCUTOR TRASERO	X
27	FIRING PIN SPRING	32966B	MUELLE PERCUTOR TRASERO	X
28	FIRING SPRING CUP	32964	CORREDERA B14 TRAINER	X
29	COCKING PIECE	31432D	COCKING PIECE DISP REM	X
30	BOLT SHROUD	32963B	CAPUCHON B14 TRAINER	X
31	LEFT EXTRACTOR SPRING	33018	MUELLE BLOQUEO PALANCA	X
32	BOLT KNOB	32506	KNOB	X
33	MAGAZINE	32986	CARGADOR B14-22	X

# 2022 B14R FIBER CARBON BARREL ACTIO LH



#	DESCRIPTION	BOM ITEM	BOM DESCRIPTION	
1	RECEIVER	RMEB14R01LC	32960L-REC MEC B14R LH CAR	X
2	BARREL	TUB14R003C	40174-B14R-D12,7-22LRP1:16E6L18R1/2	X
3	TUBE END CAP	33185	TUBE END CAP 1/2-28 THREAD	X
4	CARBON FIBER TUBE	32897	CARBON FIBER TUBE L=317,5 D=23,2 d=20	X
5	THREAD CAP	32898	THREAD CAP 1/2-28 UNEF Ø23,2 BLUED	X
6	RECOIL LUG	32672C	RECOIL LUG	X
7	BOLT HEAD	CMEB14R01LC	32961L-BOLT DELANTERO MEC B14R LH CAR	X
8	BOLT BODY	CMEB14R02LC	32962L-BOLT TRASERO MEC B14R LH CAR	X
9	EJECTOR PIN BOTTOM	33000	PASADOR Ø2X14 DIN6325	X
10	EJECTOR	32969	EYECTOR B14 TRAINER	X
11	EJECTOR PIN TOP	33001	PASADOR Ø2X24 DIN6325	X
12	BOLT CATCH SPRING	31585	MUELLE DE TOPE DE BOLT	X
13	BOLT CATCH LEVER	31411	TOPE ESCAMOTEABLE B14	X
14	BOLT CATCH SCREW	31428	PASADOR TOPE	X
15	TRIGGER	32800L	BERGARA TRIGGER - LEFT HANDED	X
16	RIGHT EXTRACTOR	32971	EXTRACTOR PRIMARIO	X
17	EXTRACTOR SPRING	32974B	MUELLE EXTRACTOR	X
18	LEFT EXTRACTOR	32972	EXTRACTOR SECUNDARIO	X
19	EXTRACTOR PIN	32980B	PASADOR Ø2,5x8 DIN7343	X
20	BOLT HEAD SPACER	32988C	ARANDELA DE AJUSTE 1,6	X
21	STRIKER SPRING	32968	MUELLE PERCUTOR DELANTERO	X
22	STRIKER	32967	PERCUTOR DELANTERO	X
23	STRIKER CUP	32970	PERCUTOR CENTRAL	X
24	STRIKER RETAIN PIN	32982B	PASADOR Ø3x12 DIN7343	X
25	BOLT HANDLE	33122	B14 LEFT PALANCA	X
26	FIRING PIN	32965	PERCUTOR TRASERO	X
27	FIRING PIN SPRING	32966B	MUELLE PERCUTOR TRASERO	X
28	FIRING SPRING CUP	32964	CORREDERA B14 TRAINER	X
29	COCKING PIECE	31432D	COCKING PIECE DISP REM	X
30	BOLT SHROUD	32963B	CAPUCHON B14 TRAINER	X
31	RIGHT EXTRACTOR SPRING	33018	MUELLE BLOQUEO PALANCA	X
32	BOLT KNOB	32506	KNOB	X
33	MAGAZINE	32986	CARGADOR B14-22	X

BRA142-22LRZ  
B14FRBA002L  
USA  
ROW