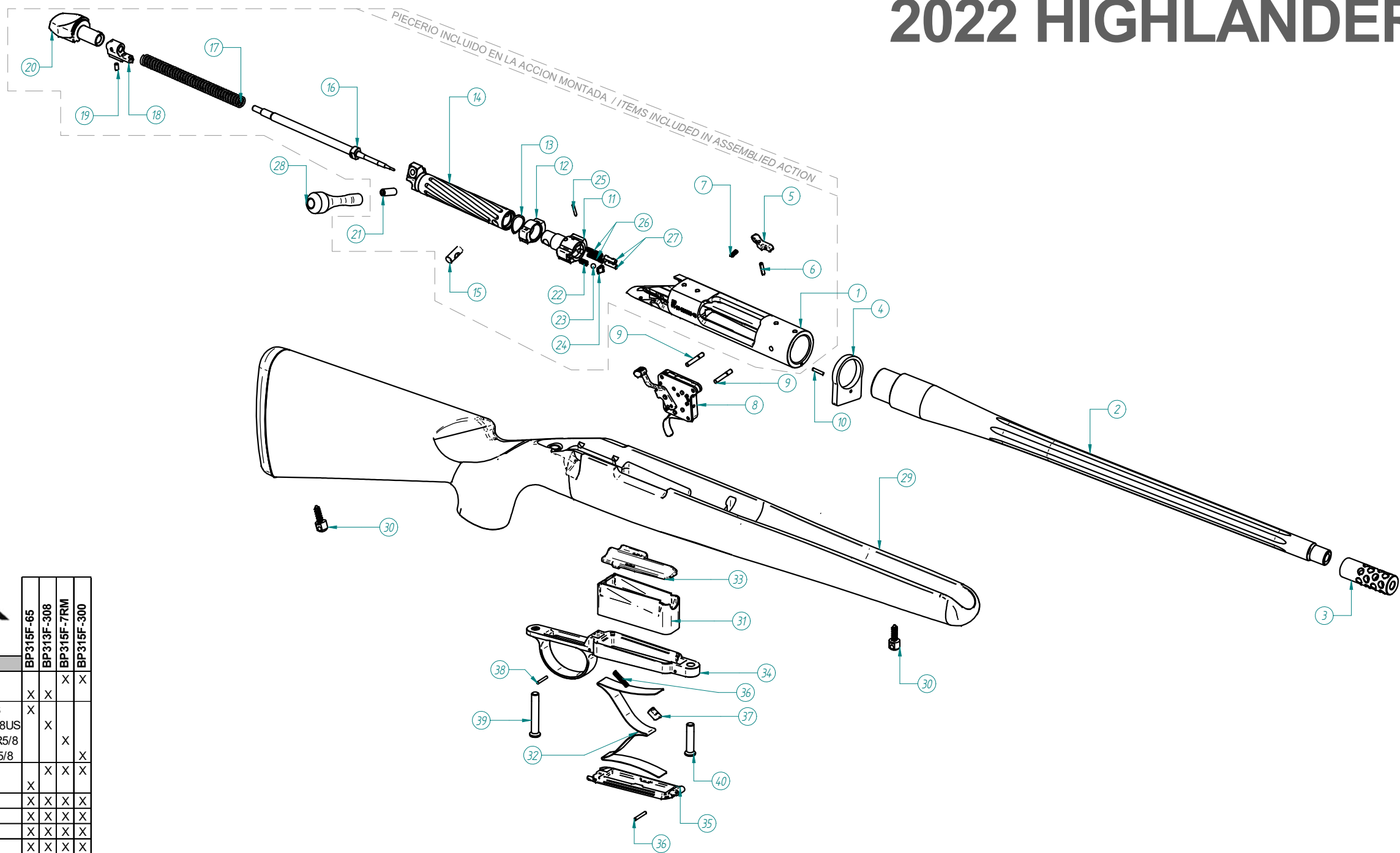


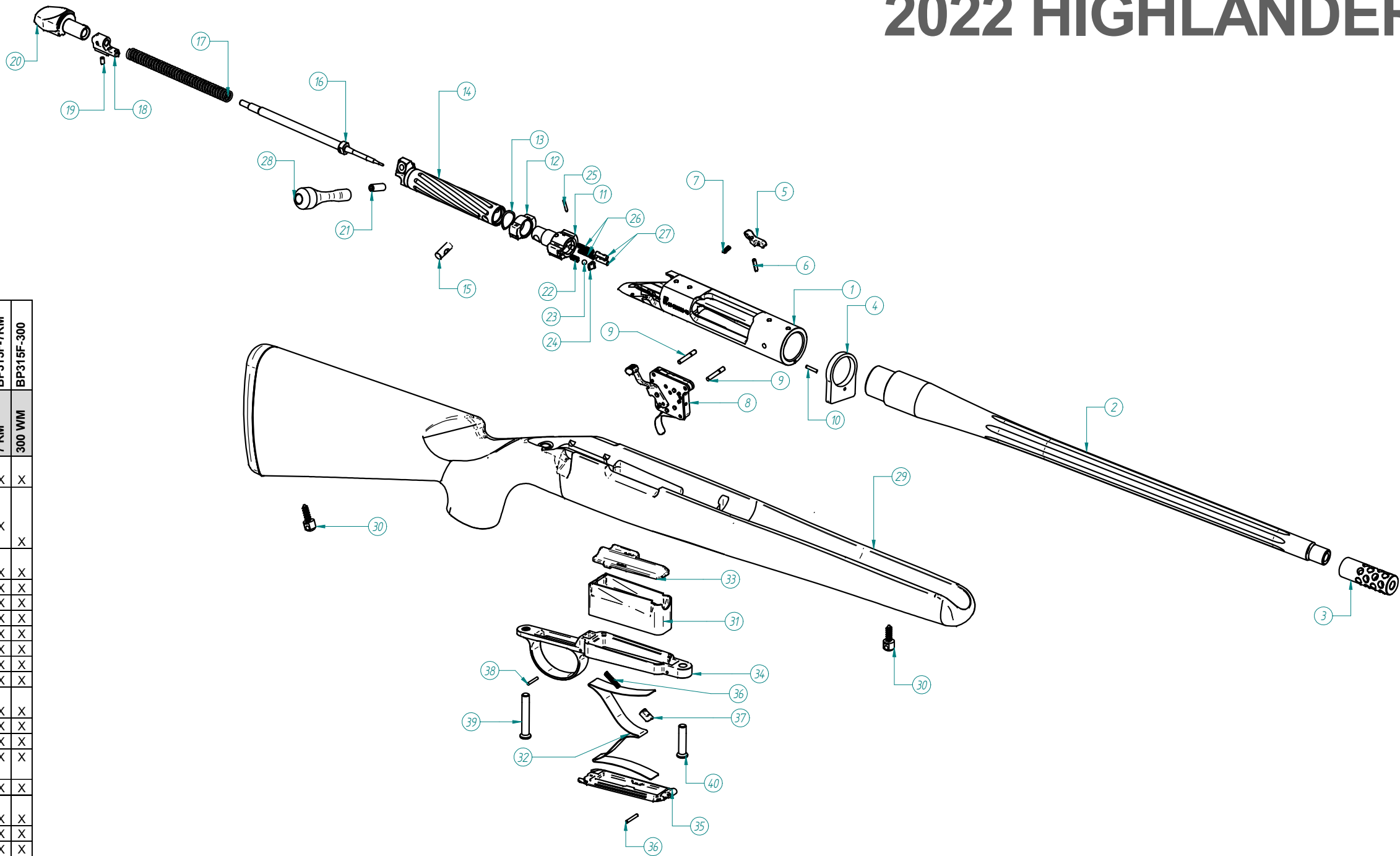
2022 HIGHLANDER



(*) CERAKOTE = BARREL ACTION

#	BOM ITEM	BOM ITEM	BP315F-65	BP313F-308	BP315F-7RM	BP315F-300
1	PPLA2.2	BERGARA PREMIER LA	X	X	X	X
	PPSA2.2	BERGARA PREMIER SA	X	X	X	X
2	TUBPM202S	40244F-S-HIGHLANDER_19,1_6,5CRP1:8E6L24R5/8US	X			
	TUBPM204S	40242F-S-HIGHLANDER_19,1_308Win_P1:10E6L20R5/8US	X	X		
	TUBPM206S	40244F-LM-HIGHLANDER_19,1_7mmRM_P1:9.5E4L24R5/8			X	
	TUBPM207S	40244F-LM-HIGHLANDER_19,1_300WM_P1:10E6L24R5/8				X
3	33193	30 CAL D19.1 (.750) MUZZLEBRAKE 5/8 24 UNEF	X	X	X	X
	33196	65 CAL D19.1 (.750) MUZZLEBRAKE 5/8 24 UNEF	X	X	X	X
4	32672PC	RECOIL LUG PREMIER C	X	X	X	X
8	33198	R70-SBS-14-TNC TRIGGERTECH CURVED PRIMARY	X	X	X	X
9	06022065	MSC TRIGGER PIN	X	X	X	X
10	03835899	MSC RECOIL LUG PIN	X	X	X	X
28	STNDBLTHNDL	TACTICAL BOLT HANDLE	X	X	X	X
29	GRAYOUTLL	CULATA MADERA B14 LARGO (TIMBER)	X	X	X	X
	GRATOUTL	GRAYBOE OUTLANDER STOCK SA	X	X	X	X
30	29116	BACK SCREW	X	X	X	X
31	31431	CAJA CORTA	X	X		
	32113U	CAJA ULTRA			X	X
32	31444C	MUELLE MAGAZINE CREEDMOOR	X			
	31444S	MUELLE CAJERA	X	X	X	X
33	31427	SEGUIDOR CORTO	X	X		
	32115	SEGUIDOR LARGO			X	X
34	32216A	B14 SHORT SUPPORT	X	X		
	32216AL	B14 LONG SUPOORT W/O CHROME			X	X
35	32218A	B14 SHORT CAP	X	X		
	32218AL	B14 LONG CUP W/O CHROME			X	X
36	32219	MUELLE FLOOR PLATE	X	X	X	X
37	32217	PALANCA B14	X	X	X	X
38	32132B	PASADOR Ø2x14 DIN 7	X	X	X	X
39	31422	TORNILLO ALLEN TRASERO CL12	X	X	X	X
40	31422B	TORNILLO ALLEN DELANTERO CL12	X	X	X	X
*	H234	CERAKOTE H-234 SNIPER GREY	X	X	X	X

2022 HIGHLANDER



		* CERAKOTE BARREL ACTION, FP, BOLT HANDLE				
		BP315F-65	BP313F-308	BP315F-7RM	BP315F-300	
#	BOM ITEM	DESCRIPTION	6,5 Creed.	308 Win.	7 RM	300 WM
1	RMEPMSA01RS RMEPMLA01RS	33264-REC MEC PREMIER SHORT RH INOX 33264L-REC MEC PREMIER LONG RH INOX	X X	X	X	X
2	TUBPM202S TUBPM204S TUBPM206S TUBPM207S	40244F-S-HIGHLANDER_19,1_6,5CRP1:8E6L24R5/8US 40242F-S-HIGHLANDER_19,1_308Win_P1:10E6L20R5/8US 40244F-LM-HIGHLANDER_19,1_7mmRM_P1:9,5E4L24R5/8 40244F-LM-HIGHLANDER_19,1_300WM_P1:10E6L24R5/8	X	X	X	X
3	33196 33193	65 CAL D19.1 (.750) MUZZLEBRAKE 5/8 24 UNEF 30 CAL D19.1 (.750) MUZZLEBRAKE 5/8 24 UNEF	X	X	X	X
4	33281C	PREMIER RECOIL LUG	X	X	X	X
5	33268	PREMIER BOLT STOP	X	X	X	X
6	33279	PASADOR Ø2.5x12 DIN7343	X	X	X	X
7	33280	PREMIER BOLT STOP SPRING	X	X	X	X
8	33198	R70-SBS-14-TNC TRIGGERTECH CURVED PRIMARY	X	X	X	X
9	33278	PREMIER PIN	X	X	X	X
10	33276	PREMIER RECOIL LUG PIN	X	X	X	X
11	CMEPM01RC CMEPMM01RC	33266-BOLT HEAD STANDAR MEC PREMIER RH CAR 33266M-BOLT HEAD MAGNUM MEC PREMIER RH CAR	X	X	X	X
12	33272	PREMIER GAS SHIELD	X	X	X	X
13	33271	PREMIER GAS SHIELD WASHER	X	X	X	X
14	CMEPML01RSF CMEPMS01RSF	33265L-BOLT BODY LONG MEC PREMIER RH INOX FLUTES 33265-BOLT BODY SHORT MEC PREMIER RH INOX FLUTES	X	X	X	X
15	33273	PREMIER BOLT CROSS PIN	X	X	X	X
16	33267 33267L	PREMIER SHORT FIRING PIN PREMIER LONG FIRING PIN	X	X	X	X
17	32993	MUELLE PERCUTOR B14	X	X	X	X
18	33269	PREMIER COCKING PIECE	X	X	X	X
19	33277	VARILLA ROSCADA M3x6 DIN913	X	X	X	X
20	33270	PREMIER BOLT SHROUD	X	X	X	X
21	33275	VARILLA ROSCADA M6x16 DIN913 - CALIDAD 12.9	X	X	X	X
22	32197	EXTRACTOR SPRING	X	X	X	X
23	32196	BOLA	X	X	X	X
24	32198 32198B	STANDARD EXTRACTOR MAGNUM EXTRACTOR	X	X	X	X
25	31587	PASADOR ESPIRAL DE 2 x 12 DIN 7343	X	X	X	X
26	31451	EJECTOR SPRING	X	X	X	X
27	31450	EJECTOR PIN	X	X	X	X
28	33274	PREMIER BOLT HANDLE - M6	X	X	X	X
29	GRATOUTL GRAYOUTLL	GRAYBOE OUTLANDER STOCK SA GRAYBOE OUTLANDER STOCK LA	X	X	X	X
30	29116	BACK SCREW	X	X	X	X
31	31431 32113U	CAJA CORTA CAJA ULTRA	X	X	X	X
32	31444C 31444S	MUELLE MAGAZNE CREEDMOOR MUELLE CAJERA	X	X	X	X
33	31427 32115	SEGUIDOR CORTO SEGUIDOR LARGO	X	X	X	X
34	32216A 32216AL	B14 SHORT SUPPORT B14 LONG SUPOPORT W/O CHROME	X	X	X	X
35	32218A 32218AL	B14 SHORT CAP B14 LONG CUP W/O CHROME	X	X	X	X
36	32219	MUELLE FLOOR PLATE	X	X	X	X
37	32217	PALANCA B14	X	X	X	X
38	32132B	PASADOR Ø2x14 DIN 7	X	X	X	X
39	31422	TORNILLO ALLEN TRASERO CL12	X	X	X	X
40	31422B	TORNILLO ALLEN DELANTERO CL12	X	X	X	X
*	H234	CERAKOTE H-234 SNIPER GREY	X	X	X	X