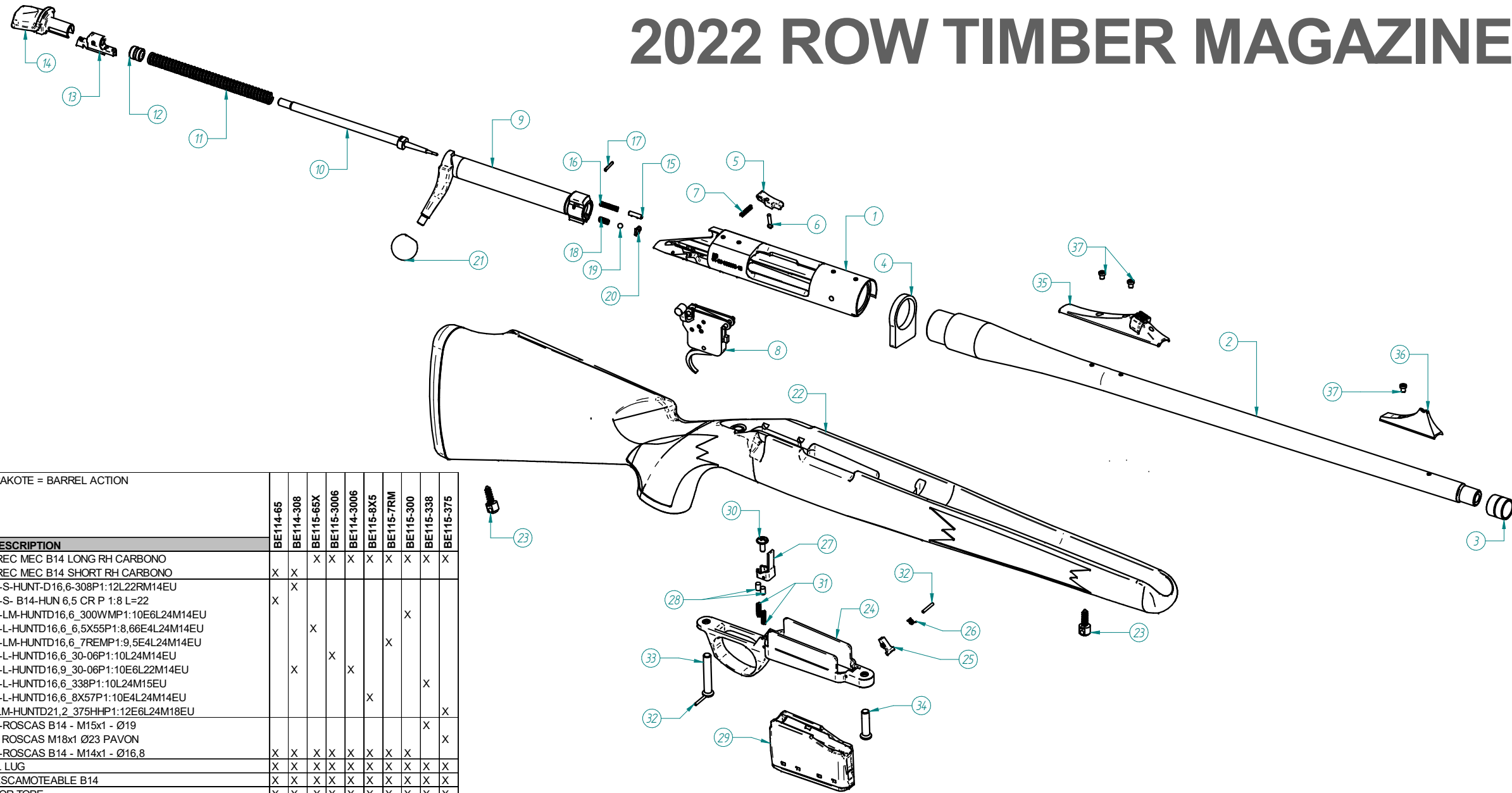


2022 ROW TIMBER MAGAZINE



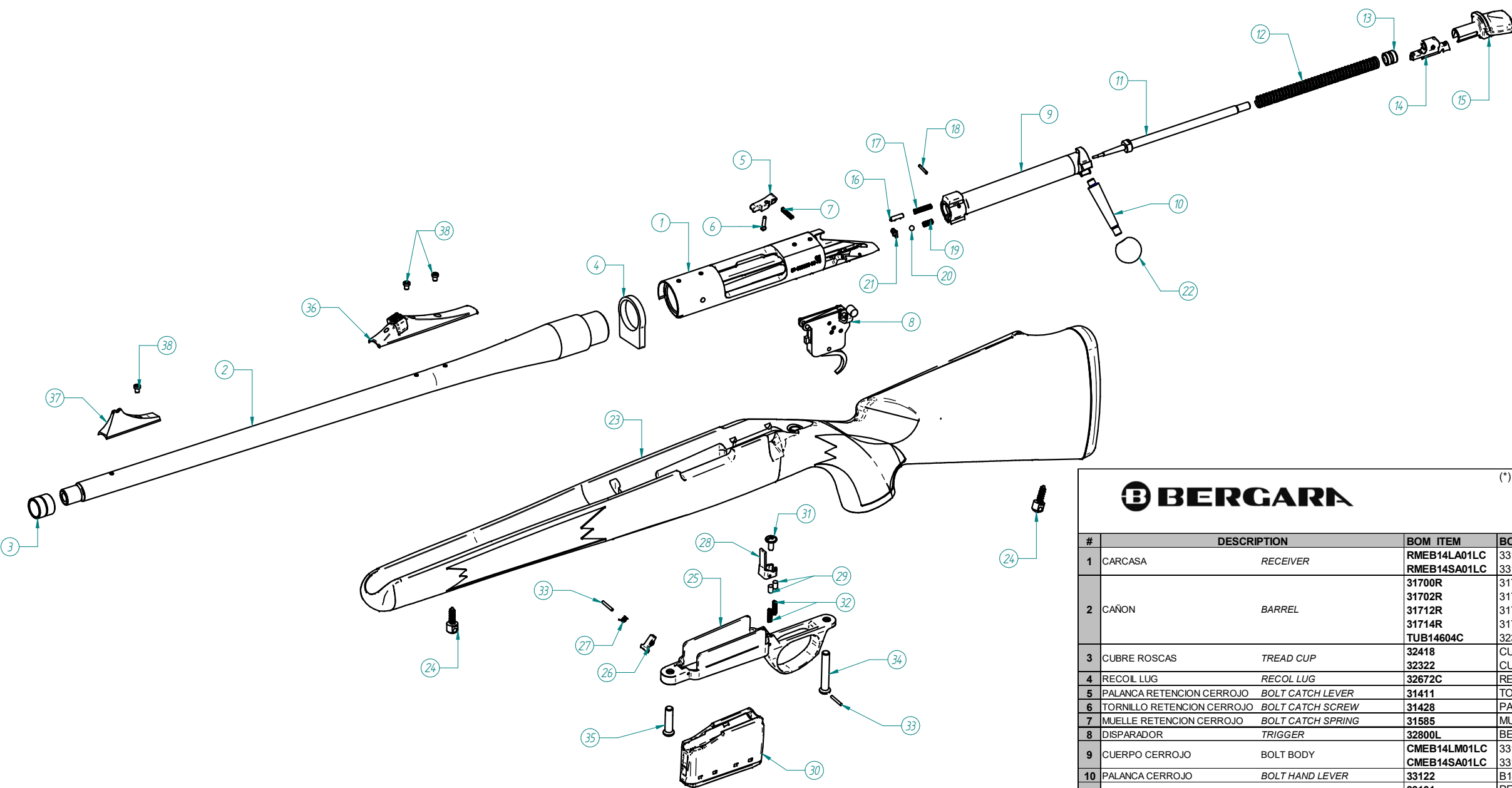
(*) CERAKOTE = BARREL ACTION



#	DESCRIPTION	BOM ITEM	BOM DESCRIPTION	BE114-65	BE114-308	BE115-65X	BE115-3006	BE114-3006	BE115-8X5	BE115-7RM	BE115-300	BE115-338	BE115-375
1	CARCASA RECEIVER	RMEB14LA01RC RMEB14SA01RC	32114-REC MEC B14 LONG RH CARBONO 31434-REC MEC B14 SHORT RH CARBONO	X	X	X	X	X	X	X	X	X	X
2	CAÑON BARREL	31700R 31702R 31712R 31713R 31714R TUB14602C TUB14603C TUB14604C TUB14605C TUB14903C	31700R-S-HUNT-D16,6-308P1:12L22RM14EU 31700R-S- B14-HUN 6,5 CR P 1:8 L=22 31710R-LM-HUNTD16,6_300WMP1:10E6L24M14EU 31710R-L-HUNTD16,6_5X55P1:8,66E4L24M14EU 31710R-LM-HUNTD16,6_7REMP1:9,5E4L24M14EU 31710R-L-HUNTD16,6_30-06P1:10L24M14EU 32433R-L-HUNTD16,9_30-06P1:10E6L22M14EU 32376R-L-HUNTD16,6_338P1:10L24M15EU 31710R-L-HUNTD16,6_8X57P1:10E4L24M14EU 40117-LM-HUNTD21,2_375HHP1:12E6L24M18EU	X	X	X	X	X	X	X	X	X	X
3	CUBRE ROSCAS TREAD CUP	32418 32558 32322	CUBRE-ROSCAS B14 - M15x1 - Ø19 CUBRE ROSCAS M18x1 Ø23 PAVON CUBRE-ROSCAS B14 - M14x1 - Ø16,8	X	X	X	X	X	X	X	X	X	X
4	RECOIL LUG RECOL LUG	32672C	RECOIL LUG	X	X	X	X	X	X	X	X	X	X
5	PALANCA RETENCION CERROJO BOLT CATCH LEVER	31411	TOPE ESCAMOTEABLE B14	X	X	X	X	X	X	X	X	X	X
6	TORNILLO RETENCION CERROJO BOLT CATCH SCREW	31428	PASADOR TOPE	X	X	X	X	X	X	X	X	X	X
7	MUELLE RETENCION CERROJO BOLT CATCH SPRING	31585	MUELLE DE TOPE DE BOLT	X	X	X	X	X	X	X	X	X	X
8	DISPARADOR TRIGGER	32800	BERGARA TRIGGER	X	X	X	X	X	X	X	X	X	X
9	CUERPO CERROJO BOLT BODY	CMEB14LA01RC CMEB14LM01RC CMEB14SA01RC	33102- BOLT MEC B14 LONG RH CARBONO 33102B- BOLT MEC B14 LONG MAG RH CARBONO 33100- BOLT MEC B14 SHORT RH CARBONO	X	X	X	X	X	X	X	X	X	X
10	PERCUTOR FIRING PIN	33101 33103	PERCUTOR B14 CORTO 2018 PERCUTOR B14 LARGO 2018	X	X	X	X	X	X	X	X	X	X
11	MUELLE PERCUTOR FIRING PIN SPRING	32993	MUELLE PERCUTOR B14	X	X	X	X	X	X	X	X	X	X
12	CASQUILLO DEL PERCUTOR FIRING PIN BUSHING	32994	CORREDERA	X	X	X	X	X	X	X	X	X	X
13	ENGANCHE DEL PERCUTOR FIRING PIN LOCK	31432D	COCKING PIECE DISP REM	X	X	X	X	X	X	X	X	X	X
14	CUBIERTA DEL PERCUTOR FIRING PIN SHROUD	32995	CAPUCHON MIM	X	X	X	X	X	X	X	X	X	X
15	EXPULSOR EJECTOR	31450	EJECTOR PIN	X	X	X	X	X	X	X	X	X	X
16	MUELLE EMPUJE EJECTOR PLUNGER SPRING	31451	EJECTOR SPRING	X	X	X	X	X	X	X	X	X	X
17	PASADOR EMPUJE EJECTOR PIN	31587	PASADOR ESPIRAL DE 2 x 12 DIN 7343	X	X	X	X	X	X	X	X	X	X
18	MUELLE EXTRACTOR EXTRACTOR SPRING	32197	EXTRACTOR SPRING	X	X	X	X	X	X	X	X	X	X
19	BOLA DE EXTRACTOR EXTRACTOR BALL	32196	BOLA	X	X	X	X	X	X	X	X	X	X
20	EXTRACTOR EXTRACTOR	32198 32198B	STANDARD EXTRACTOR MAGNUM EXTRACTOR	X	X	X	X	X	X	X	X	X	X
21	POMO DEL CERROJO BOLT KNOB	31926	POMO BOLA	X	X	X	X	X	X	X	X	X	X
22	CULATA STOCK	32215LM 32215M 32215MM 32215MMS	CULATA MADERA B14 LARGO (TIMBER) CULATA MADERA B14 CORTO (TIMBER) CULATA MADERA B14 MAGNUM (TIMBER) CULATA MADERA B14 MAGNUM VARM SEN (TIMBER)	X	X	X	X	X	X	X	X	X	X
23	ROTULA PORTACORREA SLING SWIVEL	29116	BACK SCREW	X	X	X	X	X	X	X	X	X	X
24	GUARDAMONTE TRIGGER GUARD	32333 32333L	GUARDAMONTES B14 CAJERA CORTO GUARDAMONTE CAJERA LARGO	X	X	X	X	X	X	X	X	X	X
25	PALANCA SUEJCCION CARGADOR MAGAZINE CLAMPING LEVER	32334	PALANCA	X	X	X	X	X	X	X	X	X	X
26	MUELLE PALANCA LEVER SPRING	32335	MUELLE PALANCA	X	X	X	X	X	X	X	X	X	X
27	CHAPA EMPUJE CARGADOR MAGAZINE PUSHING PLATE	32336	CHAPA EMPUJE	X	X	X	X	X	X	X	X	X	X
28	PASADOR EMPUJE PUSHING PIN	32338	PASADOR Ø4x6 DIN7	X	X	X	X	X	X	X	X	X	X
29	CARGADOR MAGAZINE	32343 32343L 32343M	CAJERA CORTA B14 CAJERA LARGA B14 CAJERA LARGA MAGNUM B14	X	X	X	X	X	X	X	X	X	X
30	TORNILLO REGULADOR REGULATION SPRING	32357	TORNILLO M4x10 (TORNILLO HAFELE)	X	X	X	X	X	X	X	X	X	X
31	MUELLE DE EMPUJE PUSHING SPRING	32313	MUELLE	X	X	X	X	X	X	X	X	X	X
32	PASADOR GUARDAMONTES TIGGER GUARD LOCKING PIN	32132B	PASADOR Ø2x14 DIN 7	X	X	X	X	X	X	X	X	X	X
33	TORNILLO TRASERO CULATA STOCK REAR SCREW	31422	TORNILLO ALLEN TRASERO CL12	X	X	X	X	X	X	X	X	X	X
34	TORNILLO DELANTERO CULATA STOCK FRONT SCREW	31422C	TORNILLO DELANTERO B14	X	X	X	X	X	X	X	X	X	X
35	CONJUNTO ALZA REAR SIGHT	31660	CONJUNTO ALZA BX11	X	X	X	X	X	X	X	X	X	X
36	CONJUNTO MIRA FRONT SIGHT	32282	MIRA BX11	X	X	X	X	X	X	X	X	X	X
37	TORNILLO ALZA-MIRA SIGHT SCREWS	20549T	TORNILLO DE FIJACION A Y M TORX	X	X	X	X	X	X	X	X	X	X
*		H146	CERAKOTE H-146 GRAPHITE BLACK	X	X	X	X	X	X	X	X	X	X

Documento de soporte. En caso de duda o discrepancia consultar la última actualización del Listado de Materiales en la ERP (Libra) .

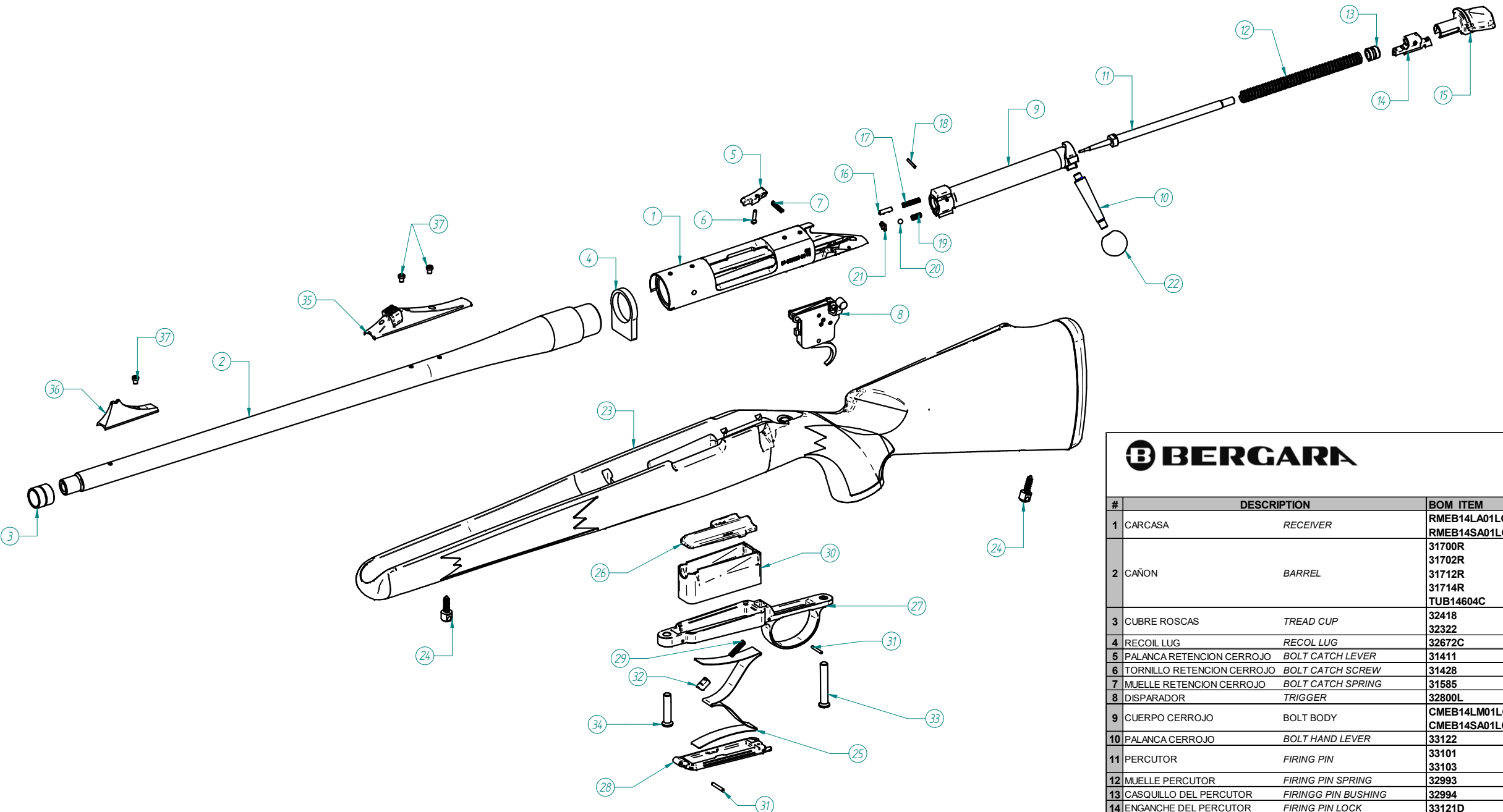
2022 ROW TIMBER LH MAGAZINE



(*) CERAKOTE = BARREL ACTION

B BERGARA				BE114-65Z	BE114-308Z	BE115-7RMZ	BE115-300Z	BE115-338Z
#	DESCRIPTION	BOM ITEM	BOM DESCRIPTION					
1	CARCASA RECEIVER	RMEB14LA01LC	33117-REC MEC B14 LONG LH CARBONO	X	X		X	X
		RMEB14SA01LC	33118-REC MEC B14 SHORT LH CARBONO					
2	CAÑON BARREL	31700R	31700R-S-HUNT-D16,6-308P1:12L22RM14EU		X			
		31702R	31700R-S- B14-HUN 6,5 CR P 1:8 L=22					
		31712R	31710R-LM-HUNTD16,6_300WMP1:10E6L24M14EU				X	
		31714R	31710R-LM-HUNTD16,6_7REMP1:9,5E4L24M14EU					X
		TUB14604C	32376R-L-HUNTD16,6_338P1:10L24M15EU					X
3	CUBRE ROSCAS TREAD CUP	32418	CUBRE-ROSCAS B14 - M15x1 - Ø19	X	X	X	X	X
		32322	CUBRE-ROSCAS B14 - M14x1 - Ø16,8					
4	RECOIL LUG RECOL LUG	32672C	RECOIL LUG	X	X	X	X	X
5	PALANCA RETENCION CERROJO BOLT CATCH LEVER	31411	TOPE ESCAMOTEABLE B14	X	X	X	X	X
6	TORNILLO RETENCION CERROJO BOLT CATCH SCREW	31428	PASADOR TOPE	X	X	X	X	X
7	MUELLE RETENCION CERROJO BOLT CATCH SPRING	31585	MUELLE DE TOPE DE BOLT	X	X	X	X	X
8	DISPARADOR TRIGGER	32800L	BERGARA TRIGGER - LEFT HANDED	X	X	X	X	X
9	CUERPO CERROJO BOLT BODY	CMEB14LM01LC	33119B- BOLT MEC B14 LONG MAG LH CARBONO	X	X		X	X
		CMEB14SA01LC	33120- BOLT MEC B14 SHORT LH CARBONO					
10	PALANCA CERROJO BOLT HAND LEVER	33122	B14 LEFT PALANCA	X	X	X	X	X
11	PERCUTOR FIRING PIN	33101	PERCUTOR B14 CORTO 2018	X	X			
		33103	PERCUTOR B14 LARGO 2018			X	X	X
12	MUELLE PERCUTOR FIRING PIN SPRING	32993	MUELLE PERCUTOR B14	X	X	X	X	X
13	CASQUILLO DEL PERCUTOR FIRING PIN BUSHING	32994	CORREDERA	X	X	X	X	X
14	ENGANCHE DEL PERCUTOR FIRING PIN LOCK	33121D	B14 LEFT COCKING PIECE	X	X	X	X	X
15	CUBIERTA DEL PERCUTOR FIRING PIN SHROUD	32995	CAPUCHON MIM	X	X	X	X	X
16	EXPULSOR EJECTOR	31450	EJECTOR PIN	X	X	X	X	X
17	MUELLE EMPUJE EJECTOR PLUNGER SPRING	31451	EJECTOR SPRING	X	X	X	X	X
18	PASADOR EMPUJE EJECTOR PIN	31587	PASADOR ESPIRAL DE 2 x 12 DIN 7343	X	X	X	X	X
19	MUELLE EXTRACTOR EXTRACTOR SPRING	32197	EXTRACTOR SPRING	X	X	X	X	X
20	BOLA DE EXTRACTOR EXTRACTOR BALL	32196	BOLA	X	X	X	X	X
21	EXTRACTOR EXTRACTOR	32198	STANDARD EXTRACTOR	X	X			
		32198B	MAGNUM EXTRACTOR				X	X
22	POMO DEL CERROJO BOLT KNOB	31926	POMO BOLA	X	X	X	X	X
23	CULATA STOCK	33125	CULATA MADERA B14 LH CORTO (TIMBER)	X	X			
		33125LM	CULATA MADERA B14 LH LARGA MAGNUM (TIMBER)			X	X	X
24	ROTULA PORTACORREA SLING SWIVEL	29116	BACK SCREW	X	X	X	X	X
25	GUARDAMONTE TRIGGER GUARD	32333	GUARDAMONTES B14 CAJERA CORTO	X	X			
		32333L	GUARDAMONTE CAJERA LARGO			X	X	X
26	PALANCA SUJECCION CARGADOR MAGAZINE CLAMPING LEVER	32334	PALANCA	X	X	X	X	X
27	MUELLE PALANCA LEVER SPRING	32335	MUELLE PALANCA	X	X	X	X	X
28	CHAPA EMPUJE CARGADOR MAGAZINE PUSHING PLATE	32336	CHAPA EMPUJE	X	X	X	X	X
29	PASADOR EMPUJE PUSHING PIN	32338	PASADOR Ø4x6 DIN7	X	X	X	X	X
30	CARGADOR MAGAZINE	32343	CAJERA CORTA B14	X	X			
		32343M	CAJERA LARGA MAGNUM B14			X	X	X
31	TORNILLO REGULADOR REGULATION SPRING	32357	TORNILLO M4x10 (TORNILLO HAFELE)	X	X	X	X	X
32	MUELLE DE EMPUJE PUSHING SPRING	32313	MUELLE	X	X	X	X	X
33	PASADOR GUARDAMONTES TIGGER GUARD LOCKING PIN	32132B	PASADOR Ø2x14 DIN 7	X	X	X	X	X
34	TORNILLO TRASERO CULATA STOCK REAR SCREW	31422	TORNILLO ALLEN TRASERO CL12	X	X	X	X	X
35	TORNILLO DELANTERO CULATA STOCK FRONT SCREW	31422C	TORNILLO DELANTERO B14	X	X	X	X	X
36	CONJUNTO ALZA REAR SIGHT	31660	CONJUNTO ALZA BX11	X	X	X	X	X
37	CONJUNTO MIRA FRONT SIGHT	32282	MIRA BX11	X	X	X	X	X
38	TORNILLO ALZA-MIRA SIGHT SCREWS	20549T	TORNILLO DE FIJACION A Y M TORX	X	X	X	X	X
*		H146	CERAKOTE H-146 GRAPHITE BLACK	X	X	X	X	X

2022 ROW TIMBER LH FLOORPLATE



(*) CERAKOTE = BARREL ACTION

B BERGARA				BE114F-65Z	BE114F-308Z	BE115F-7RMZ	BE115F-300Z	BE115F-338Z
#	DESCRIPTION	BOM ITEM	BOM DESCRIPTION					
1	CARCASA RECEIVER	RMEB14LA01LC RMEB14SA01LC	33117-REC MEC B14 LONG LH CARBONO 33118-REC MEC B14 SHORT LH CARBONO	X	X			
2	CAÑÓN BARREL	31700R 31702R 31712R 31714R TUB14604C	31700R-S-HUNT-D16,6-308P1:12L22RM14EU 31700R-S- B14-HUN 6,5 CR P 1:8 L=22 31710R-LM-HUNTD16,6_300WMP1:10E6L24M14EU 31710R-LM-HUNTD16,6_7REMP1:9,5E4L24M14EU 32376R-L-HUNTD16,6_338P1:10L24M15EU	X	X		X	X
3	CUBRE ROSCAS TREAD CUP	32418 32322	CUBRE-ROSCAS B14 - M15x1 - Ø19 CUBRE-ROSCAS B14 - M14x1 - Ø16,8	X	X	X	X	X
4	RECOIL LUG RECOL LUG	32672C	RECOIL LUG	X	X	X	X	X
5	PALANCA RETENCION CERROJO BOLT CATCH LEVER	31411	TOPE ESCAMOTEABLE B14	X	X	X	X	X
6	TORNILLO RETENCION CERROJO BOLT CATCH SCREW	31428	PASADOR TOPE	X	X	X	X	X
7	MUELLE RETENCION CERROJO BOLT CATCH SPRING	31585	MUELLE DE TOPE DE BOLT	X	X	X	X	X
8	DISPARADOR TRIGGER	32800L	BERGARA TRIGGER - LEFT HANDED	X	X	X	X	X
9	CUERPO CERROJO BOLT BODY	CMEB14LM01LC CMEB14SA01LC	33119B- BOLT MEC B14 LONG MAG LH CARBONO 33120- BOLT MEC B14 SHORT LH CARBONO	X	X		X	X
10	PALANCA CERROJO BOLT HAND LEVER	33122	B14 LEFT PALANCA	X	X	X	X	X
11	PERCUTOR FIRING PIN	33101 33103	PERCUTOR B14 CORTO 2018 PERCUTOR B14 LARGO 2018	X	X		X	X
12	MUELLE PERCUTOR FIRING PIN SPRING	32993	MUELLE PERCUTOR B14	X	X	X	X	X
13	CASQUILLO DEL PERCUTOR FIRING PIN BUSHING	32994	CORREDERA	X	X	X	X	X
14	ENGANCHE DEL PERCUTOR FIRING PIN LOCK	33121D	B14 LEFT COCKING PIECE	X	X	X	X	X
15	CUBIERTA DEL PERCUTOR FIRING PIN SHROUD	32995	CAPUCHON MIM	X	X	X	X	X
16	EXPULSOR EJECTOR	31450	EJECTOR PIN	X	X	X	X	X
17	MUELLE EMPUJE EJECTOR PLUNGER SPRING	31451	EJECTOR SPRING	X	X	X	X	X
18	PASADOR EMPUJE EJECTOR PIN	31587	PASADOR ESPIRAL DE 2 x 12 DIN 7343	X	X	X	X	X
19	MUELLE EXTRACTOR EXTRACTOR SPRING	32197	EXTRACTOR SPRING	X	X	X	X	X
20	BOLA DE EXTRACTOR EXTRACTOR BALL	32196	BOLA	X	X	X	X	X
21	EXTRACTOR EXTRACTOR	32198 32198B	STANDARD EXTRACTOR MAGNUM EXTRACTOR	X	X		X	X
22	POMO DEL CERROJO BOLT KNOB	31926	POMO BOLA	X	X	X	X	X
23	CULATA STOCK	33125 33125LM	CULATA MADERA B14 LH CORTO (TIMBER) CULATA MADERA B14 LH LARGA MAGNUM (TIMBER)	X	X			
24	ROTULA PORTACORREA SLING SWIVEL	29116	BACK SCREW	X	X	X	X	X
25	MUELLE DEL GARGADOR MAGAZINE SPRING	31444S 31444C	MUELLE CAJERA MUELLE MAGAZINE CREEDMOOR	X	X	X	X	X
26	SEGUIDOR FOLLOWER	31427 32115	SEGUIDOR CORTO SEGUIDOR LARGO	X	X		X	X
27	GUARDAMONTE TRIGGER GUARD	32216 32116L	B14 SHORT SUPPORT	X	X		X	X
28	BANDEJA DE CARGADOR MAGAZINE TRAY	32218 32218L	B14 SHORT CAP	X	X		X	X
29	MUELLE BOTON APERTURA OPENING BUTTON SPRING	32219	MUELLE FLOOR PLATE	X	X	X	X	X
30	CARGADOR MAGAZINE	31431 32113U	CAJA CORTA CAJA ULTRA	X	X		X	X
31	PASADOR GUARDAMONTES TIGGER GUARD LOCKING PIN	32132B	PASADOR Ø2x14 DIN 7	X	X	X	X	X
32	BOTON APERTURA CARGADOR TIGGER GUARD LOCKING PIN	32217	PALANCA B14	X	X	X	X	X
33	TORNILLO TRASERO CULATA STOCK REAR SCREW	31422	TORNILLO ALLEN TRASERO CL.12	X	X	X	X	X
34	TORNILLO DELANTERO CULATA STOCK FRONT SCREW	31422B	TORNILLO DELANTERO B14	X	X	X	X	X
35	CONJUNTO ALZA REAR SIGHT	31660	CONJUNTO ALZA BX11	X	X	X	X	X
36	CONJUNTO MIRA FRONT SIGHT	32282	MIRA BX11	X	X	X	X	X
37	TORNILLO ALZA-MIRA SIGHT SCREWS	20549T H146	TORNILLO DE FIJACION A Y M TORX CERAKOTE H-146 GRAPHITE BLACK	X	X	X	X	X