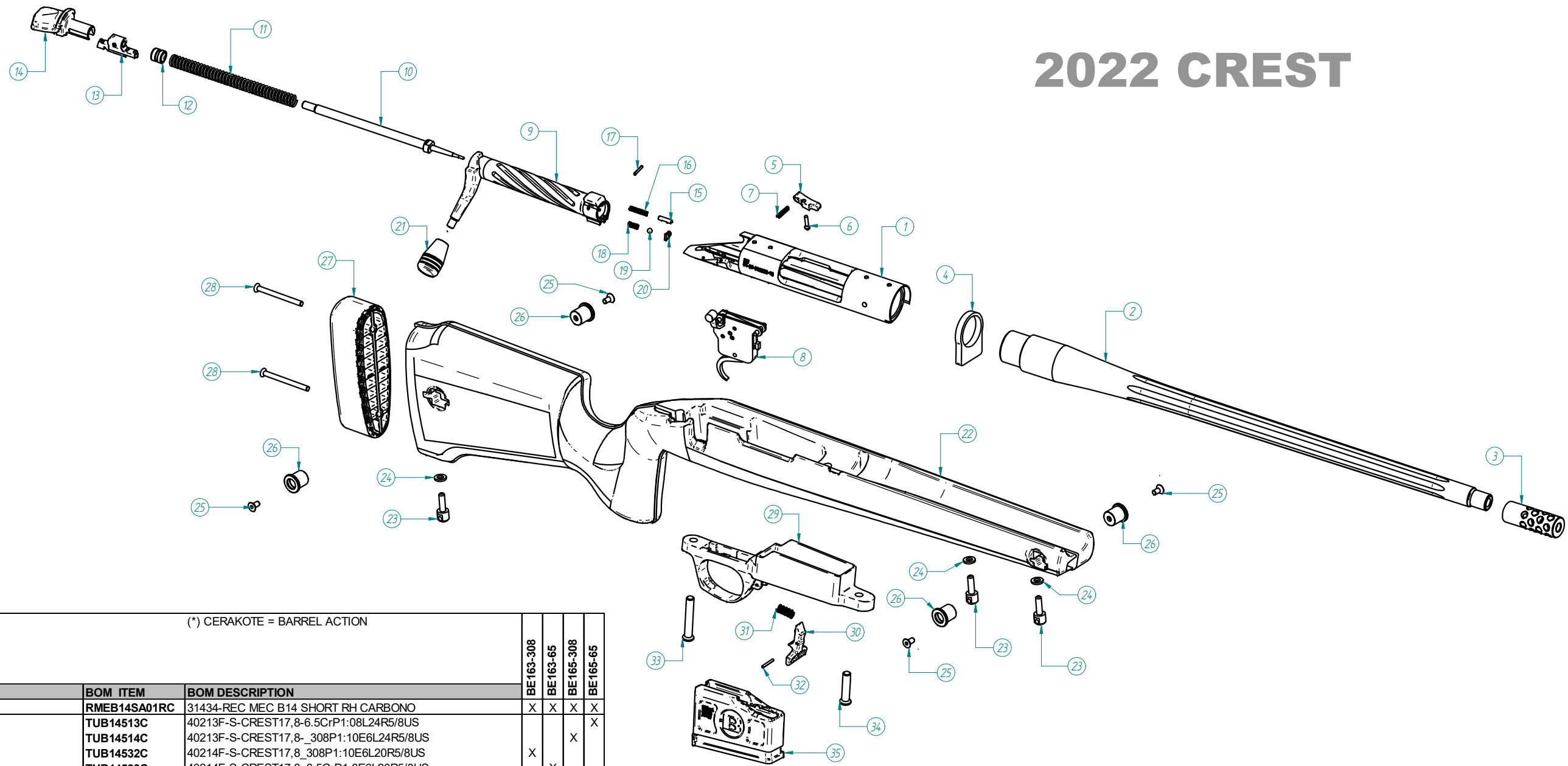


2022 CREST



(*) CERAKOTE = BARREL ACTION

B BERGARA				BE163-308	BE163-65	BE165-308	BE165-65
#	DESCRIPTION	BOM ITEM	BOM DESCRIPTION				
1	CARCASA RECEIVER	RMEB14SA01RC	31434-REC MEC B14 SHORT RH CARBONO	X	X	X	X
2	CAÑON BARREL	TUB14513C	40213F-S-CREST17,8-6.5CrP1:08L24R5/8US				
		TUB14514C	40213F-S-CREST17,8-308P1:10E6L24R5/8US			X	
		TUB14532C	40214F-S-CREST17,8-308P1:10E6L20R5/8US	X			
		TUB14533C	40214F-S-CREST17,8-6.5CrP1:8E6L20R5/8US		X		
3	FRENO DE BOCA MUZZLE BRAKE	33192 33195	30 CAL D 17.8 (.700) MUZZLEBRAKE 5/8 24 UNEF 65 CAL D17.8 (.700) MUZZLEBRAKE 5/8 24 UNEF	X	X	X	X
4	RECOIL LUG RECOIL LUG	32672C	RECOIL LUG	X	X	X	X
5	PALANCA RETENCION CERROJO BOLT CATCH LEVER	31411	TOPE ESCAMOTEABLE B14	X	X	X	X
6	TORNILLO RETENCION CERROJO BOLT CATCH SCREW	31428	PASADOR TOPE	X	X	X	X
7	MUELLE RETENCION CERROJO BOLT CATCH SPRING	31585	MUELLE DE TOPE DE BOLT	X	X	X	X
8	DISPARADOR TRIGGER	32800	BERGARA TRIGGER	X	X	X	X
9	CUERPO CERROJO BOLT BODY	CMEB14SA01RCF	33100F- BOLT MEC B14 SHORT RH CARBONO FLUTES	X	X	X	X
10	PERCUTOR FIRING PIN	33101	PERCUTOR B14 CORTO 2018	X	X	X	X
11	MUELLE PERCUTOR FIRING PIN SPRING	32993	MUELLE PERCUTOR B14	X	X	X	X
12	CASQUILLO DEL PERCUTOR FIRING PIN BUSHING	32994	CORREDERA	X	X	X	X
13	ENGANCHE DEL PERCUTOR FIRING PIN LOCK	31432D	COCKING PIECE DISP REM	X	X	X	X
14	CUBIERTA DEL PERCUTOR FIRING PIN SHROUD	32995	CAPUCHON MIM	X	X	X	X
15	EXPULSOR EJECTOR	31450	EJECTOR PIN	X	X	X	X
16	MUELLE EMPUJE EJECTOR PLUNGER SPRING	31451	EJECTOR SPRING	X	X	X	X
17	PASADOR EMPUJE EJECTOR PIN	31587	PASADOR ESPIRAL DE 2 x 12 DIN 7343	X	X	X	X
18	MUELLE EXTRACTOR EXTRACTOR SPRING	32197	EXTRACTOR SPRING	X	X	X	X
19	BOLA DE EXTRACTOR EXTRACTOR BALL	32196	BOLA	X	X	X	X
20	EXTRACTOR	32198	STANDARD EXTRACTOR	X	X	X	X
21	POMO DEL CERROJO BOLT KNOB	32506	KNOB	X	X	X	X
22	CULATA STOCK	32889M	CARBON FIBER STOCK PINTADA	X	X	X	X
23	ROTULA PORTACORREAS DEL. FRONT SLING SWIVEL	32497	SWIVEL STUD - UN	X	X	X	X
24	ARANDELA DE PLASTICO PLASTIC WASHER	32576	ARANDELA DE NYLON NEGRO 5,3	X	X	X	X
25	TORNILLO SUJECC SOPORTES SLING SWIVEL SCREW	30024	TORNILLO AVELLANADO M-4x8 DIN7991 10.9	X	X	X	X
26	SOPORTE PORTACORREAS SLING SWIVEL	33043	FLUSH CUP	X	X	X	X
27	CANTONERA RECOIL PAD	33339	RECOIL PAD	X	X	X	X
28	TIRAFONDO CANTONERA RECOIL PAD SCREW	32878	TORNILLO DIN 965 CABEZA AVELLANADA L=55	X	X	X	X
29	GUARDAMONTES TRIGGER GUARD	33039	TRIGGER GUARD M5 SHORT	X	X	X	X
30	PALANCA CARGADOR LEVER	32494	LEVER	X	X	X	X
31	MUELLE PALANCA CARGADOR LEVER SPRING	32496	SPRING FOR MAGAZINE LEVER	X	X	X	X
32	PASADOR PALANCA CARGADOR LEVER PIN	29957	PASADOR ESPIRAL DE 2 x 14 DIN 7343	X	X	X	X
33	TORNILLO TRASERO CULATA STOCK REAR SCREW	31422	TORNILLO ALLEN TRASERO CL12	X	X	X	X
34	TORNILLO DELANTERO CULATA STOCK FRONT SCREW	31422B	TORNILLO ALLEN DELANTERO CL12	X	X	X	X
35	CARGADOR MAGAZINE	32844	3 ROUND MAG - SHORT - AICS COMPATIBLE	X	X	X	X
*		H234	CERAKOTE H-234 SNIPER GREY	X	X	X	X